

Article datasheet

## Solder Terminal Pin $\varnothing 1.3 \times 13.5 \text{mm}$ Brass silver-plated - round press-in

Article-No.: 013.14.239

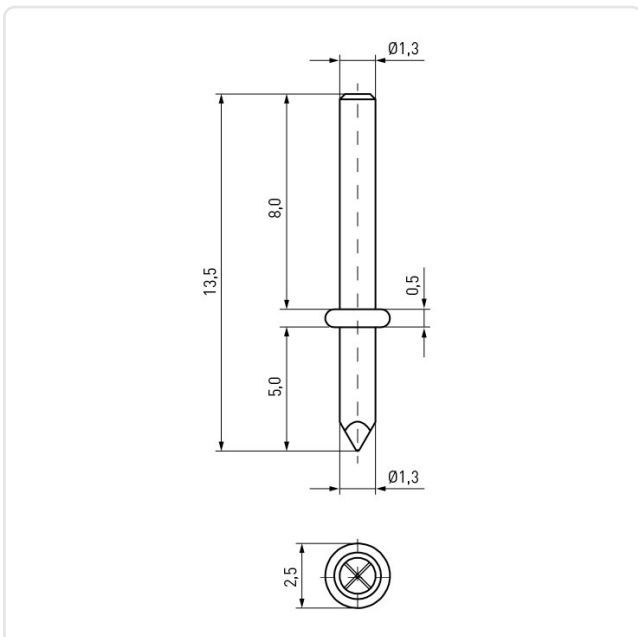


Image may be similar

Diameter [mm]: 1.3  
Finish: Silver-Plated  
Length [mm]: 13.5  
Material: Brass  
Model: round  
PCB Hole  $\varnothing$  [mm]: 1.3  
Weight: 0.16g  
Conformities:



You can find all  
information on the web on  
our article detail page



Would you like individual advice?

We look forward to your email to [products@ettinger.de](mailto:products@ettinger.de).

Subject to change and errors.