

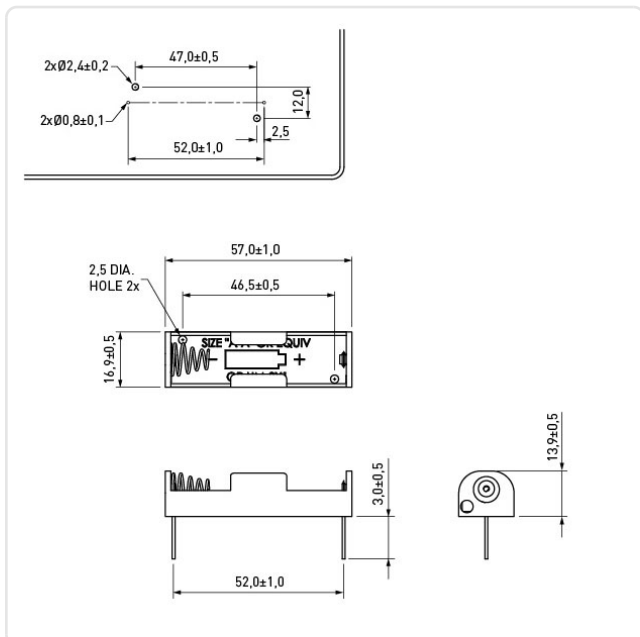
Article datasheet

## Batteryholder 1x Mignon "AA" cell for PCB mounting pin 3mm +/-0.5mm

Article-No.: 015.31.633



Image may be similar



Battery Type: AA-Mignon

Material: PP - Polypropylene

Model: PCB Mounting Connection

No. Cells: 1

Weight: 3.12g

Conformities:



You can find all information on the web on our article detail page

Would you like individual advice?

We look forward to your email to [products@ettinger.de](mailto:products@ettinger.de).

Subject to change and errors.