

Article datasheet

## Wire Saddle 11.1x19.1/15.9/ø4.8mm Polyamid 6.6 natural UL94-V0 E70062

Article-No.: 072.72.537

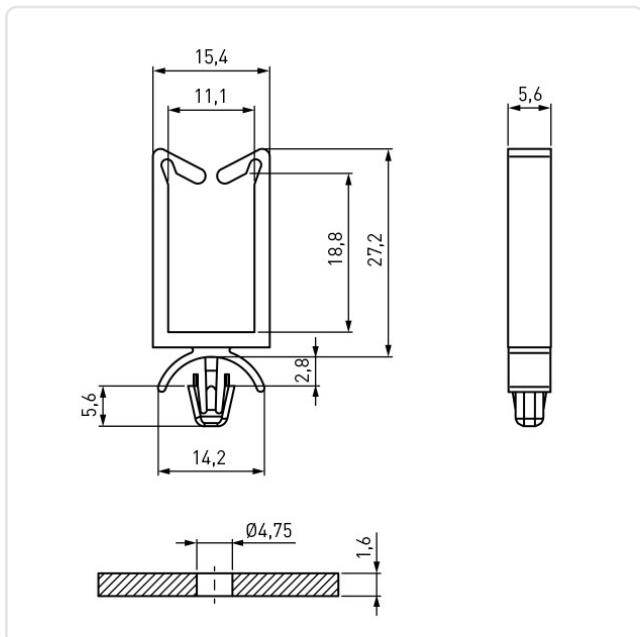


Image may be similar

Bundle Diameter [mm]: 10,0-25,0  
Color: Natural  
Height [mm]: 26.9  
Material: PA 6.6  
Mounting Hole [mm]: 4.8  
Panel Thickness [mm]: 1,6 mm  
Width [mm]: 15.9  
Weight: 1.18g  
Conformities:



You can find all information on the web on our article detail page



Would you like individual advice?

We look forward to your email to [products@ettinger.de](mailto:products@ettinger.de).

Subject to change and errors.