

Article datasheet

Ball Knob, bright polished / $\varnothing 30$ mm M5 similar DIN319-C

Article-No.: 002.34.650

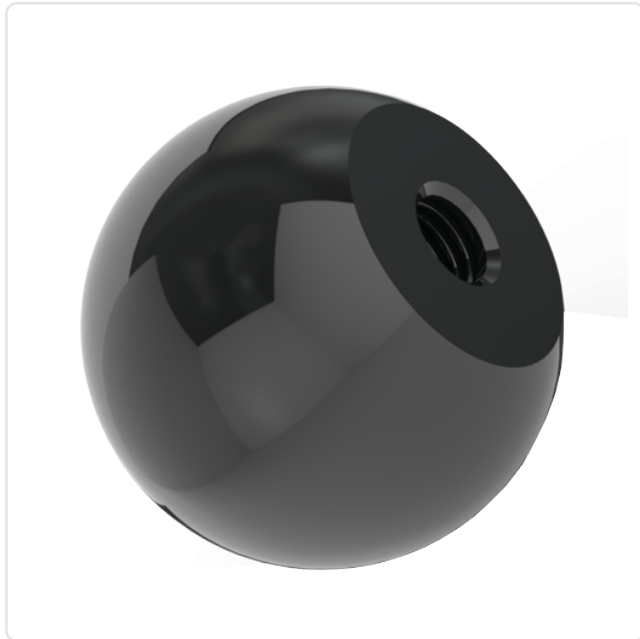
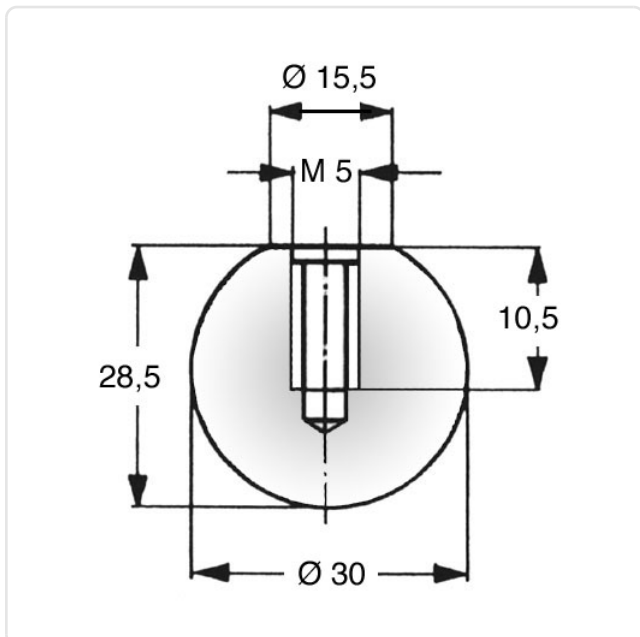


Image may be similar

Color: Black
Diameter [mm]: 30
Material: PA 6.0
Material Group: Zink-Druckguss
Thread Size: M5
Weight: 22.48g
Conformities:



You can find all information on the web on our article detail page



Would you like individual advice?

We look forward to your email to products@ettinger.de.

Subject to change and errors.