

Article datasheet

Sealing ring 50x56x2mm/3mm wide EPDM black self adhesive -40/+120°C

Article-No.: 014.56.020

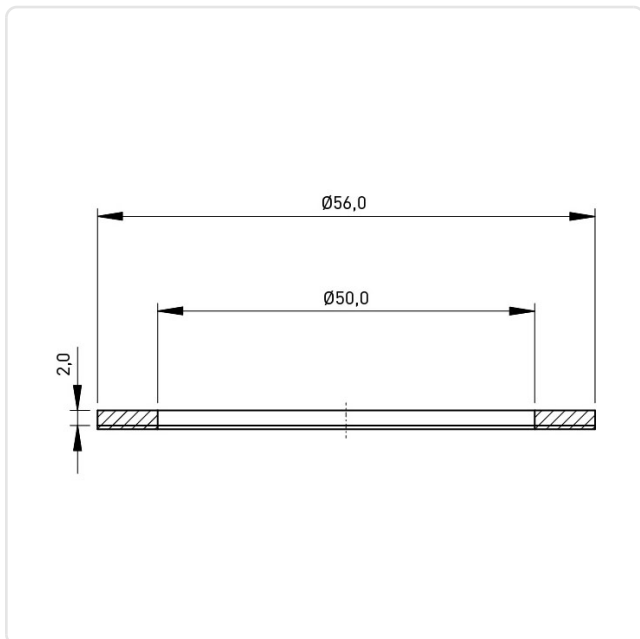


Image may be similar

AF / OD [mm]: 56
Color: Black
Height [mm]: 2
Material: EPDM - Ethylene Propylene Diene
Material Group: Plastic
Model: Sealing Ring
Weight: 0.09g
Conformities:



You can find all
information on the web on
our article detail page



Would you like individual advice?

We look forward to your email to products@ettinger.de.

Subject to change and errors.