

Article datasheet

Handle 190x18mm Steel,nickel-plated/plastic cover

Article-No.: 029.04.180

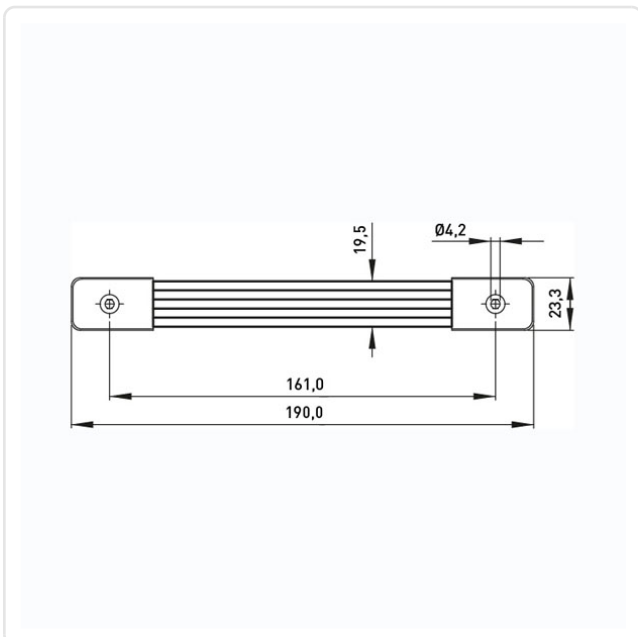


Image may be similar

Dist. Mounting Holes [mm]: 161
Finish: Nickel-Plated, 3 µm, E1E
Material: Steel
Material Group: Steel
Model: Carrying Handle
Thread Size: M4
Weight: 29.62g
Conformities:



You can find all
information on the web on
our article detail page



Would you like individual advice?

We look forward to your email to products@ettinger.de.

Subject to change and errors.