

Article datasheet

## Snap Lock Pin $\varnothing 6.2/9.4$ mm Polyamid 6.6,natural

Article-No.: 072.11.016

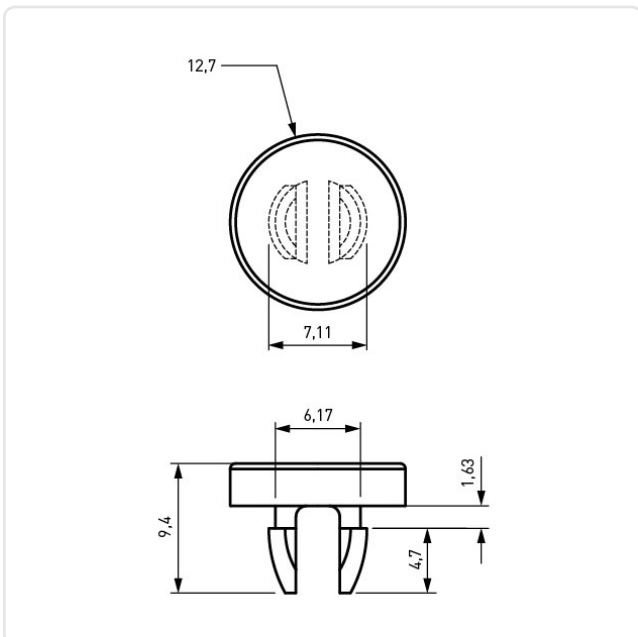


Image may be similar

Color: Natural  
Flammability Class: UL94-V2  
Head Diameter [mm]: 12.7  
Material: PA 6.6  
Material Group: Plastic  
Mounting Hole [mm]: 6  
Weight: 0.05g  
Conformities:



You can find all  
information on the web on  
our article detail page



Would you like individual advice?

We look forward to your email to [products@ettinger.de](mailto:products@ettinger.de).

Subject to change and errors.