

Article datasheet

Battery Contact for AAA/AA/N cells Cathode - Steel tinned-nickel-plated

Article-No.: 015.83.635

Manufacturer: Keystone Electronics

Manufacturer article-no.: 629



Image may be similar

Battery Type: AA-Mignon

Finish: Tin-Plated

Material: Steel

Material Group: Steel

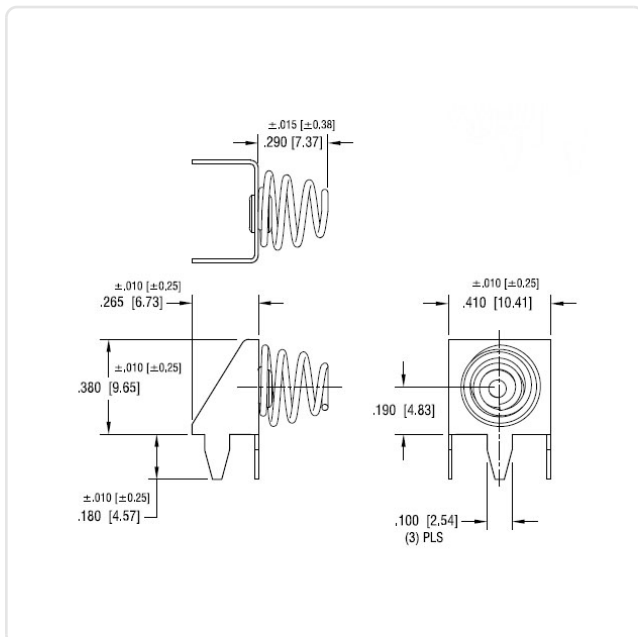
Width [mm]: 10.4

Weight: 0.89g

Conformities:



You can find all information on the web on our article detail page



Would you like individual advice?

We look forward to your email to products@ettinger.de.

Subject to change and errors.