

Article datasheet

Cable Lug Pin Type 0.5-1.0mm² Attention - Phase out - Length 12

Article-No.: 018.58.125

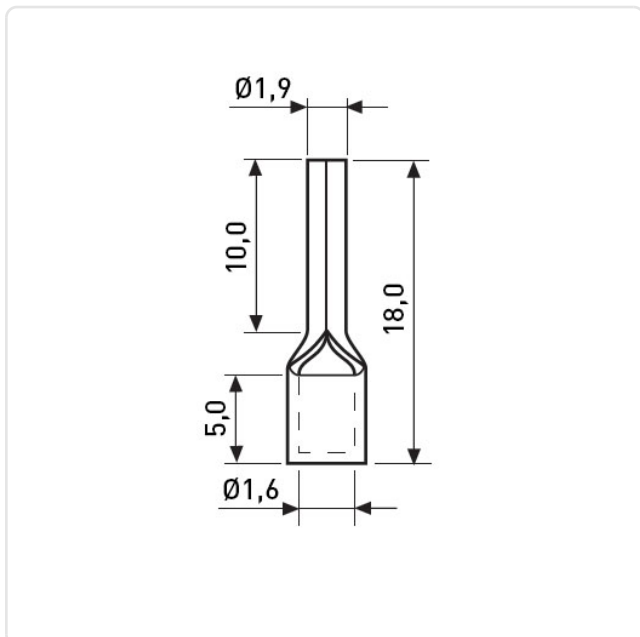


Image may be similar

Color: Silver
DIN/ISO: DIN46230
Material: Copper
Outer Diameter [mm]: 1.9
Wire Cross Section [mm²]: 0.5-1.0
Weight: 0.62g
Conformities:



You can find all
information on the web on
our article detail page



Would you like individual advice?

We look forward to your email to products@ettinger.de.

Subject to change and errors.