

Article datasheet

Cable Gland DIN46320 PG11 IP54 Brass nickel-plated

Article-No.: 014.34.116

Manufacturer: LAPP

Manufacturer article-no.: 52020341

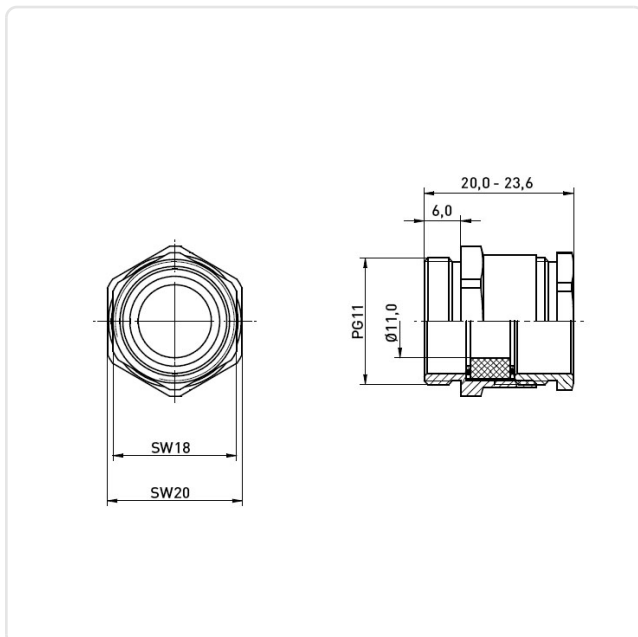


Image may be similar

AF / OD [mm]:	20
Material:	Brass
Material Group:	Brass
Mounting Hole [mm]:	19
Panel Thickness Range [mm]:	11,00
Protection Code:	IP54
Thread Size:	PG11
Weight:	18.46g
Conformities:	



You can find all information on the web on our article detail page



Would you like individual advice?

We look forward to your email to products@ettinger.de.

Subject to change and errors.