

Article datasheet

Contact Washer $\varnothing 8.2/16.2 \times 1.4$ White Galv. Spring Steel

Article-No.: 003.20.081

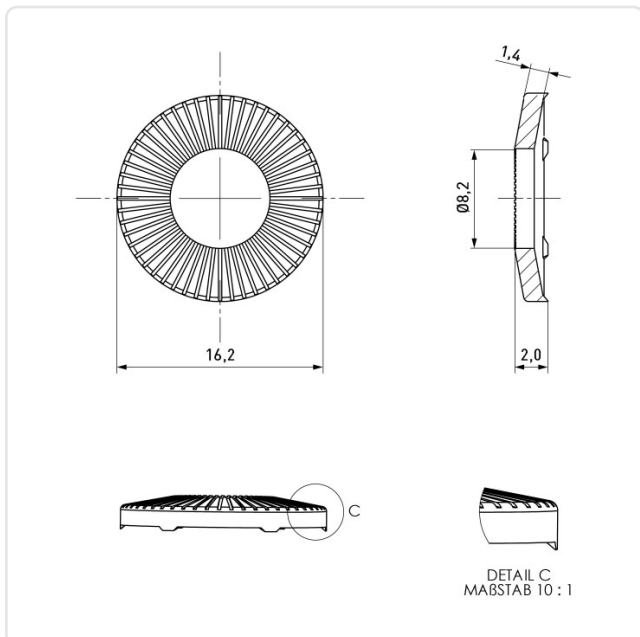


Image may be similar

Finish: Galvanized, White, 15–25 μm
For Thread Size: M8
Height [mm]: 1.4
Inner Diameter [mm]: 8.2
Material: Spring Steel
Material Group: Stahl
Outer Diameter [mm]: 16.2
Weight: 1.54g
Conformities:



You can find all information on the web on our article detail page



Would you like individual advice?

We look forward to your email to products@ettinger.de.

Subject to change and errors.