

Article datasheet

PCB Support 7.9 | $\varnothing 3.1$ Polyamide 6.6 natural

Article-No.: 006.07.516

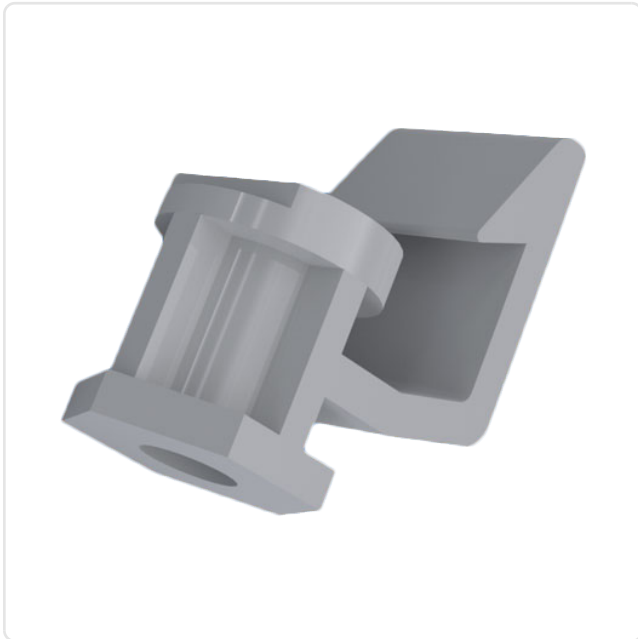
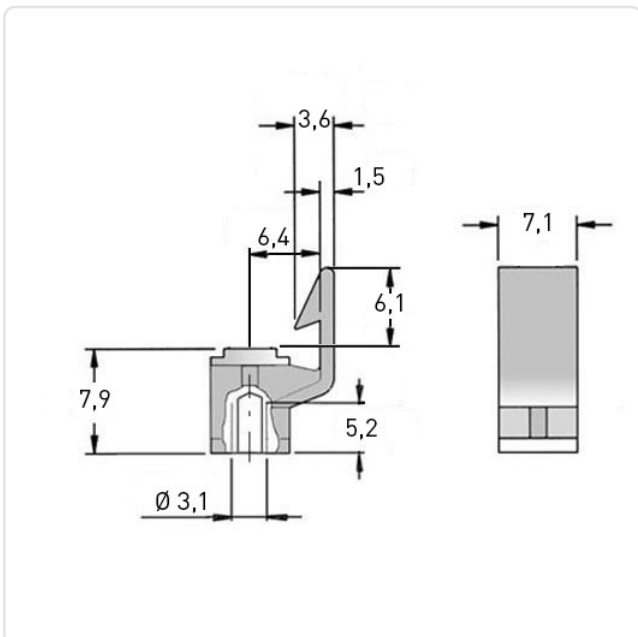


Image may be similar

Color: Natural
Flammability Class: UL94-V2
Length [mm]: 7.9
Material: PA 6.6
PCB Thickness [mm]: 1,6
Panel Hole \varnothing [mm]: 3.1
Weight: 0.41g
Conformities:



You can find all
information on the web on
our article detail page



Would you like individual advice?

We look forward to your email to products@ettinger.de.

Subject to change and errors.