

Article datasheet

Hexagon Nut DIN934/ISO4032 M3 Polyamide 6.6 black

Article-No.: 002.05.030

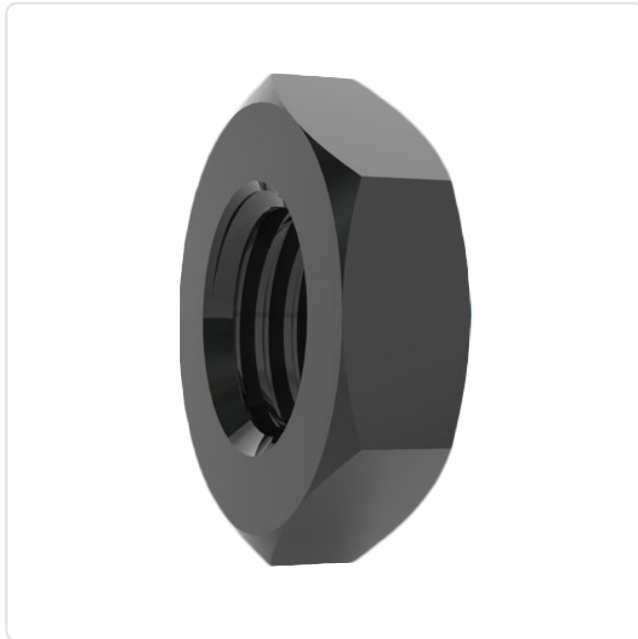


Image may be similar

AF / OD [mm]: 5.5
Color: Black
DIN/ISO: DIN934 / ISO4032
Flammability Class: UL94-HB
Height [mm]: 2.4
Material: PA 6.6
Material Group: Kunststoff
Thread Size: M3
Weight: 0.05g
Conformities:



You can find all
information on the web on
our article detail page

Would you like individual advice?

We look forward to your email to products@ettinger.de.

Subject to change and errors.

