

Article datasheet

Rivet Bush M4 | 0.9 - 1.0 Plain Steel

Article-No.: 002.15.141

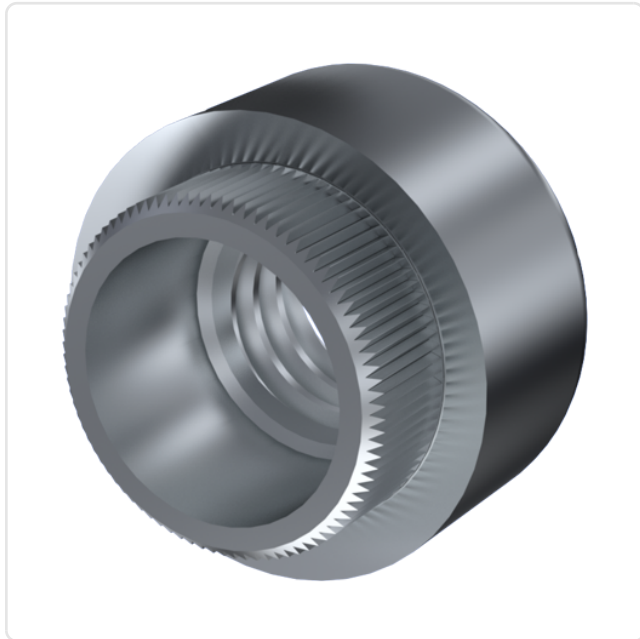
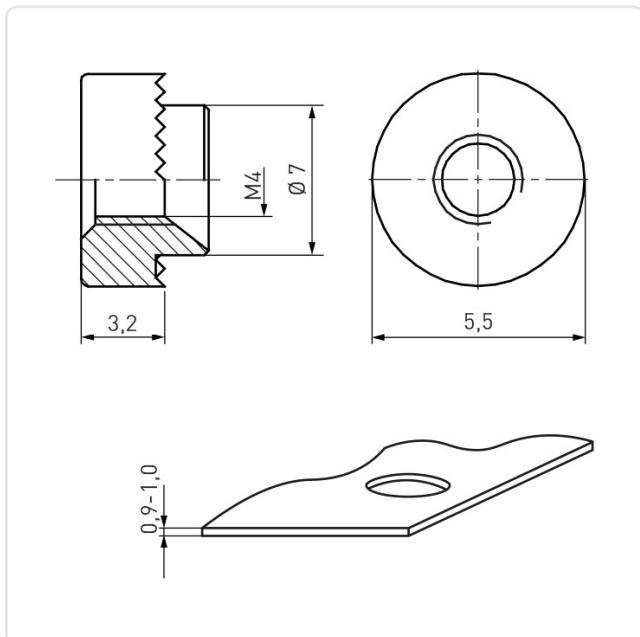


Image may be similar

Finish: Plain
Height [mm]: 3.2
Material: Steel
Outer Diameter [mm]: 7
Panel Hole \varnothing [mm]: 5.5
Panel Thickness [mm]: 0,9 - 1,0
Thread Size: M4
Weight: 0.72g
Conformities:



You can find all information on the web on our article detail page



Would you like individual advice?

We look forward to your email to products@ettinger.de.

Subject to change and errors.