

Article datasheet

## Insulated Standoff PA-Brass M/F AF6x7 | F=M2.5x4 M=M2.5x6

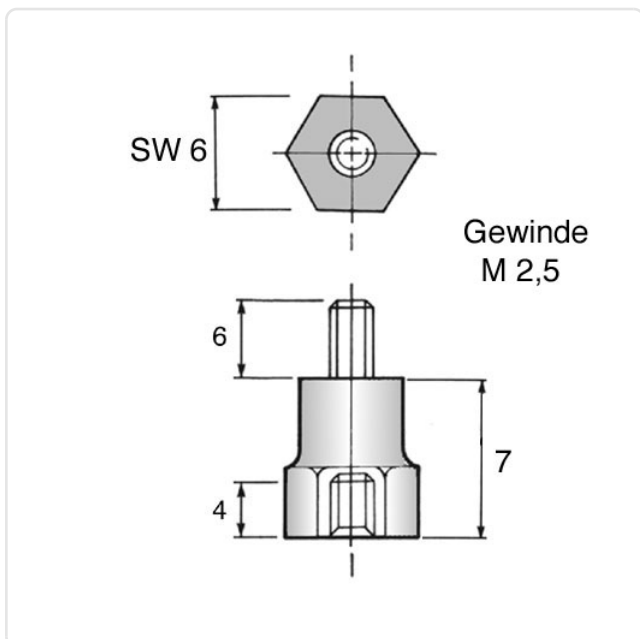
Article-No.: 005.41.924



AF / OD [mm]:	6
Female Thread Length [mm]:	4
Female Thread Size:	M2.5
Flammability Class:	UL94-HB
Length [mm]:	7
Male Thread Length [mm]:	6
Male Thread Size:	M2.5
Material:	PA 6.6
Material Group:	Plastic
Profile:	Hexagonal
Thread Insert Material:	Brass
Weight:	0.77g
Conformities:	



Image may be similar



You can find all information on the web on our article detail page

Would you like individual advice?

We look forward to your email to [products@ettinger.de](mailto:products@ettinger.de).

Subject to change and errors.