

Article datasheet

## PC fuse clip 5x20mm max. 6 Amps Brass tinned

Article-No.: 015.06.035

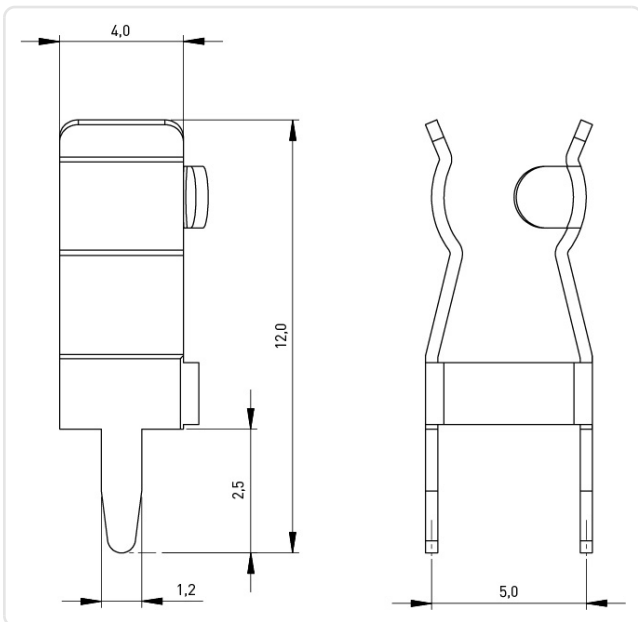


Image may be similar

Fuse Size [mm]: 5.0x20.0  
Material: Brass  
Material Group: Messing  
Model: Clip Holder  
Mounting Hole [mm]: 1.3  
Protection Code: PC1  
Weight: 0.34g  
Conformities:



You can find all  
information on the web on  
our article detail page



Would you like individual advice?

We look forward to your email to [products@ettinger.de](mailto:products@ettinger.de).

Subject to change and errors.