

Article datasheet

Bundle Clip $\varnothing 7.6-10.2$ mm Polyamid 66 natur UL94-V2 E70062

Article-No.: 072.66.346

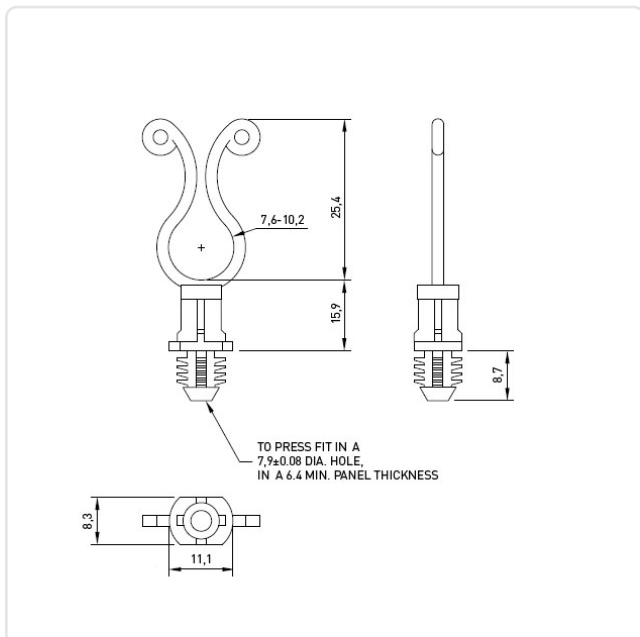


Image may be similar

Bundle Diameter [mm]: 3,0-10,0
Color: Natural
Flammability Class: UL94-V2
Material: PA 6.6
Model: Blind Hole Mounting
Weight: 1.11g
Conformities:



You can find all information on the web on our article detail page



Would you like individual advice?

We look forward to your email to products@ettinger.de.

Subject to change and errors.