

Article datasheet

Wing Nut DIN315 M6 A2 Plain Stainless Steel

Article-No.: 002.26.062

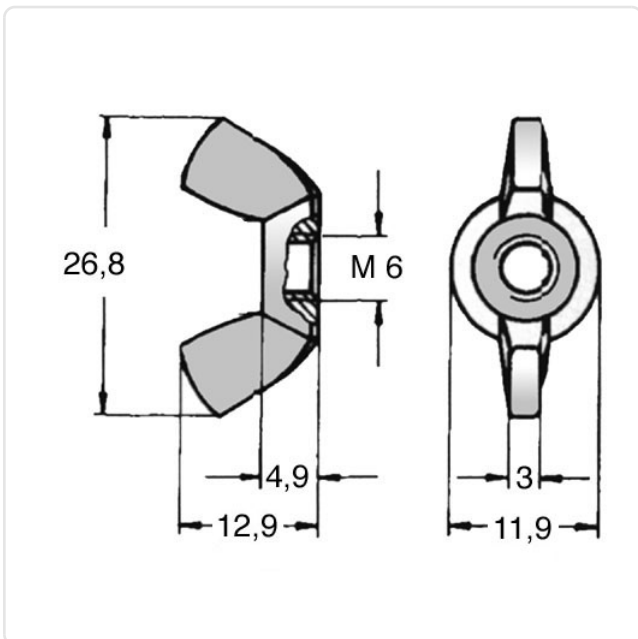


Image may be similar

AF / OD [mm]: 11.9
DIN/ISO: DIN315
Finish: Plain
Height [mm]: 12.9
Material: Stainless Steel AISI 304 / A2
Material Group: Stainless Steel
Thread Size: M6
Weight: 5.82g
Conformities:



You can find all information on the web on our article detail page



Would you like individual advice?

We look forward to your email to products@ettinger.de.

Subject to change and errors.