

Article datasheet

Hole Grommet 10.0/12.0-1.5mm PVC black

Article-No.: 014.62.040

Manufacturer: SES-Sterling

Manufacturer article-no.: 0132 0107 010

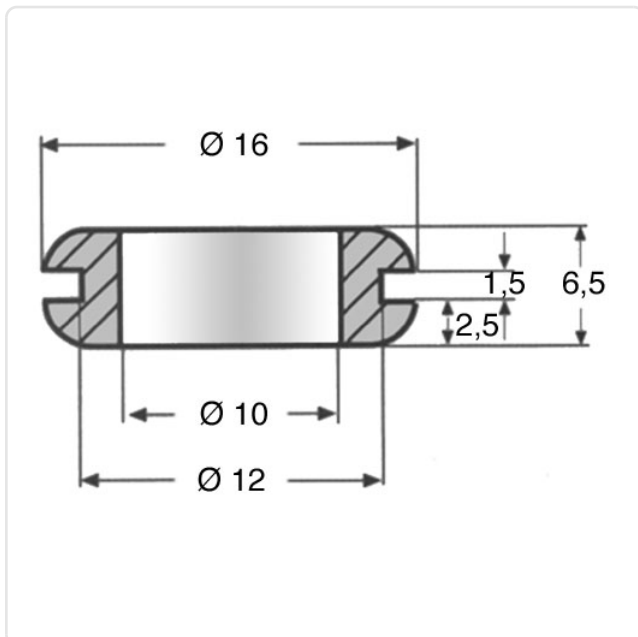


Image may be similar

Color:	Black
Inner Diameter [mm]:	10
Material:	PVC - Polyvinyl Chloride
Material Group:	Kunststoff
Max. Panel Thickness [mm]:	1.5
Mounting Hole [mm]:	12
Weight:	0.8g
Conformities:	



You can find all
information on the web on
our article detail page



Would you like individual advice?

We look forward to your email to products@ettinger.de.

Subject to change and errors.