

Article datasheet

Insulation sleeve $\varnothing 8.2/9.9 \times 15$ mm Polyamid 6 natural UL94-V2

Article-No.: 003.18.081

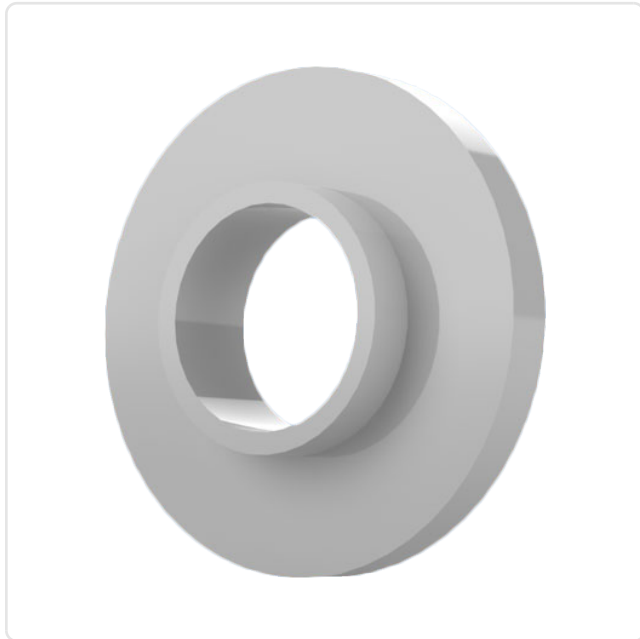
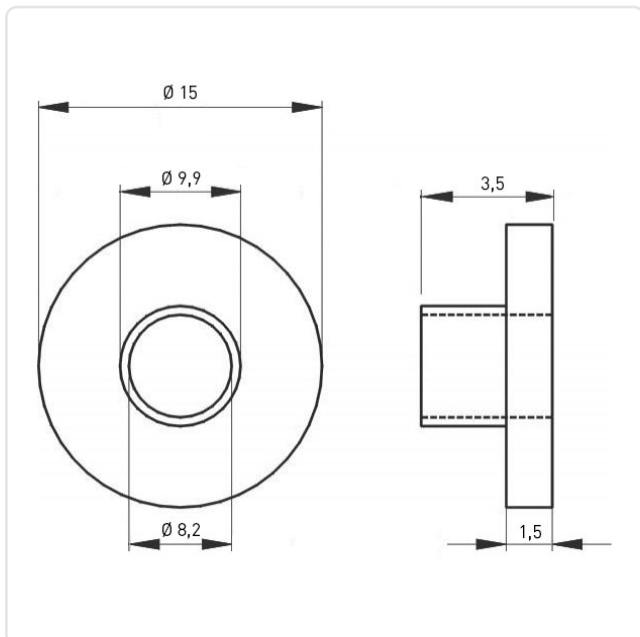


Image may be similar

Color:	Natural
Flammability Class:	UL94-V2
Height [mm]:	3.5
Inner Diameter [mm]:	8.2
Lug Diameter [mm]:	9.9
Material:	PA 6.0
Material Group:	Plastic
Model:	With Low Lug
Outer Diameter [mm]:	15
Weight:	0.27g
Conformities:	



You can find all
information on the web on
our article detail page



Would you like individual advice?

We look forward to your email to products@ettinger.de.

Subject to change and errors.