

Article datasheet
Knob \varnothing 32mm

Article-No.: 054.32.469

Manufacturer: OKW Gehäusesysteme

Manufacturer article-no.: A1432469

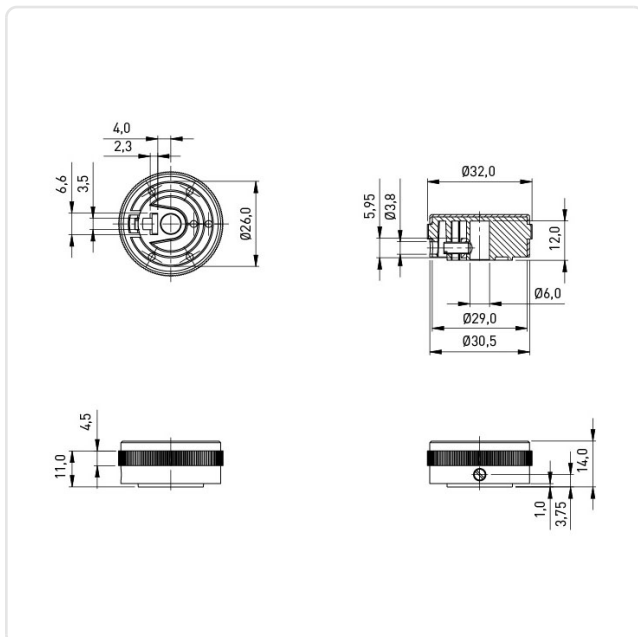


Image may be similar

Height [mm]: 14
 Inner Diameter [mm]: 6
 Marking: Line
 Material: Aluminum ENAW-5754 / AlMg3, lead-free
 Material Group: Aluminum
 Model: Knurled Knob
 Outer Diameter [mm]: 32
 Weight: 8.55g
 Conformities:



You can find all information on the web on our article detail page



Would you like individual advice?

We look forward to your email to products@ettinger.de.

Subject to change and errors.