

Article datasheet

Captive Screw M2.5x7 Flat Head Nickel-Plated Steel 4.8 Slotted

Article-No.: 001.82.223

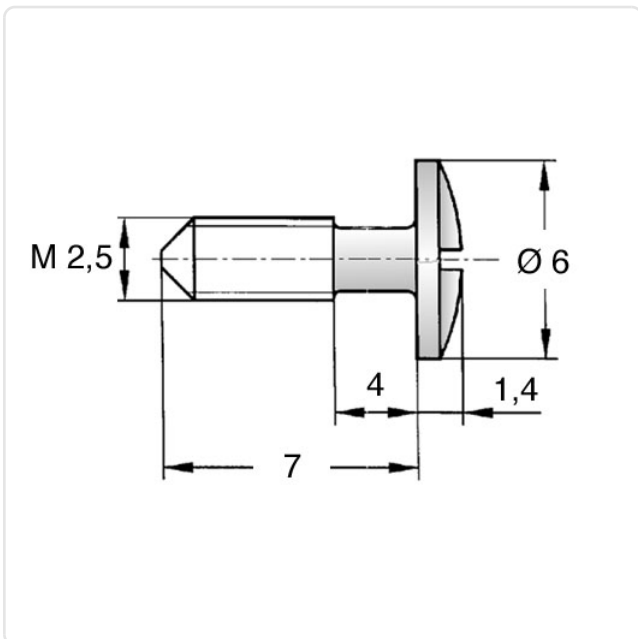


Image may be similar

Drive Type:	Slotted
Finish:	Nickel-Plated, 3 µm, E1E
Head Diameter [mm]:	6
Head Height [mm]:	1.4
Head Shape:	Pan Head
Length [mm]:	7
Material:	Brass CW614N / CuZn39Pb3
Reduced Shank Length [mm]:	4
Thread Size:	M2.5
Weight:	0.41g
Conformities:	



You can find all
information on the web on
our article detail page



Would you like individual advice?

We look forward to your email to products@ettinger.de.

Subject to change and errors.