

Article datasheet

Batteryholder for 2x "AA" cells Polypropylen black with wire leads 150mm

Article-No.: 015.32.682

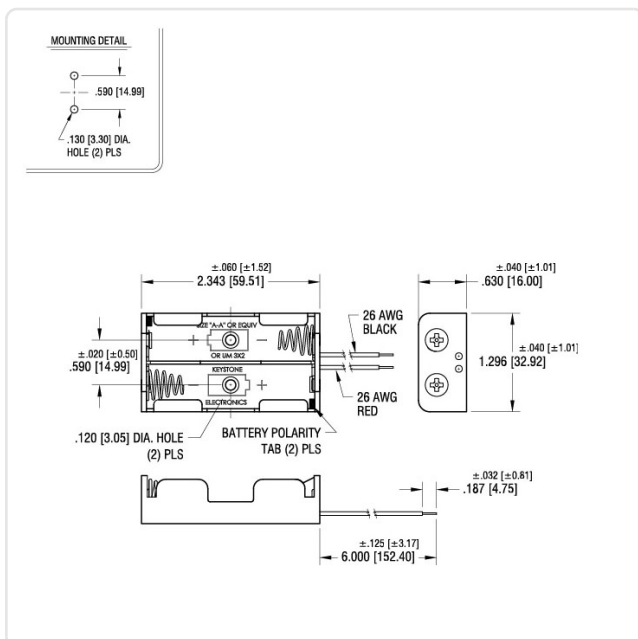


Image may be similar

Battery Type: AA-Mignon
 Flammability Class: UL94-HB
 Material: PP - Polypropylene
 Model: Wire Connection
 No. Cells: 2
 Weight: 7.8g
 Conformities:



You can find all information on the web on our article detail page



Would you like individual advice?

We look forward to your email to products@ettinger.de.

Subject to change and errors.