

Article datasheet

Weld Nut DIN929 M8 A4 Plain Stainless Steel Hexagon

Article-No.: 002.31.089

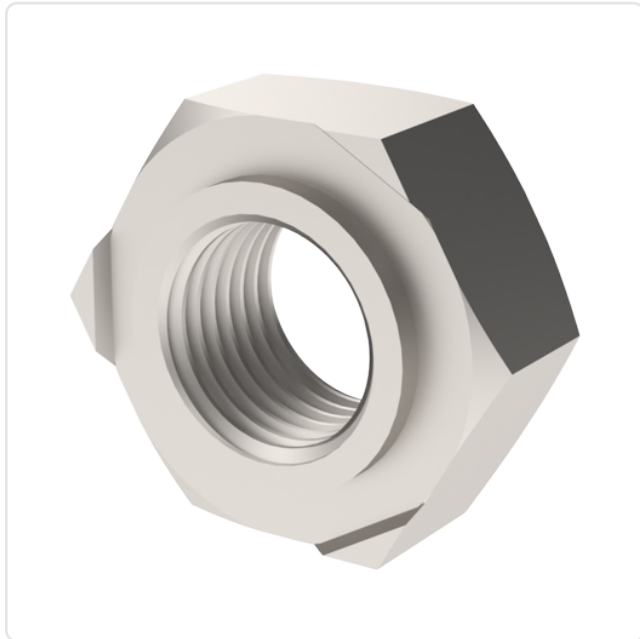
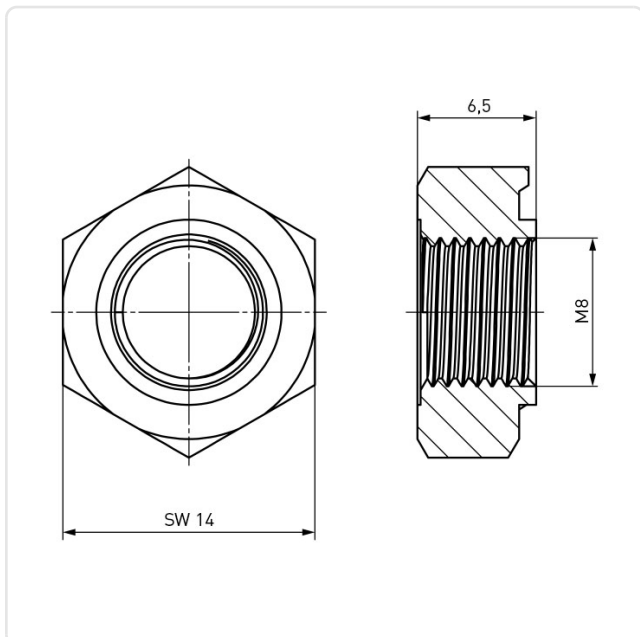


Image may be similar

AF / OD [mm]: 14
DIN/ISO: DIN929
Finish: Plain
Height [mm]: 6.5
Material: Stainless Steel AISI 316 / A4
Thread Size: M8
Conformities:



You can find all
information on the web on
our article detail page



Would you like individual advice?

We look forward to your email to products@ettinger.de.

Subject to change and errors.