

Article datasheet

Vibration Mount Type D - 57 Shore / Cylindric $\varnothing D = 20.0$ mm

Article-No.: 071.32.667

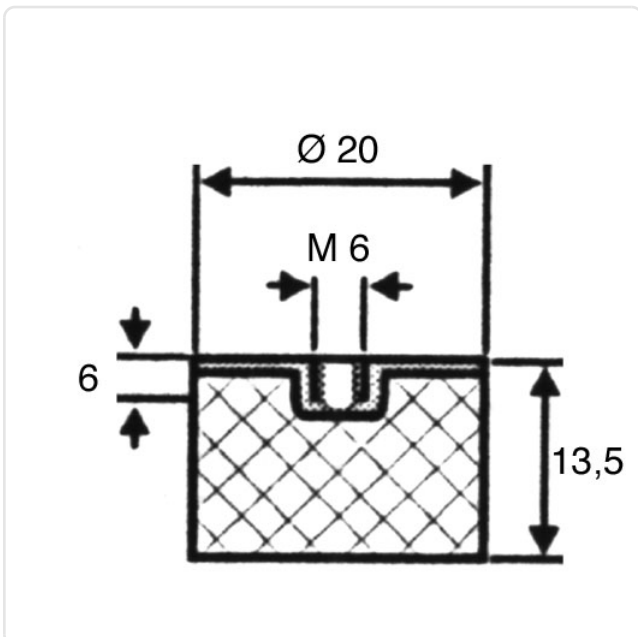


Image may be similar

Diameter [mm]:	20
Female Thread Length [mm]:	15
Finish:	Galvanized, Blue, 5 μ m, A2K
Height [mm]:	20
Material:	Natural Rubber
Shore-Hardness:	Grade of Hardness 55-57°
Thread Size:	M6
Weight:	1133g
Conformities:	



You can find all information on the web on our article detail page



Would you like individual advice?

We look forward to your email to products@ettinger.de.

Subject to change and errors.