

Article datasheet

**PC Mount Screw Terminal UNC6-32 15A Brass tinned - screw assembled**

Article-No.: 013.42.627

Manufacturer: Keystone Electronics

Manufacturer article-no.: 7700

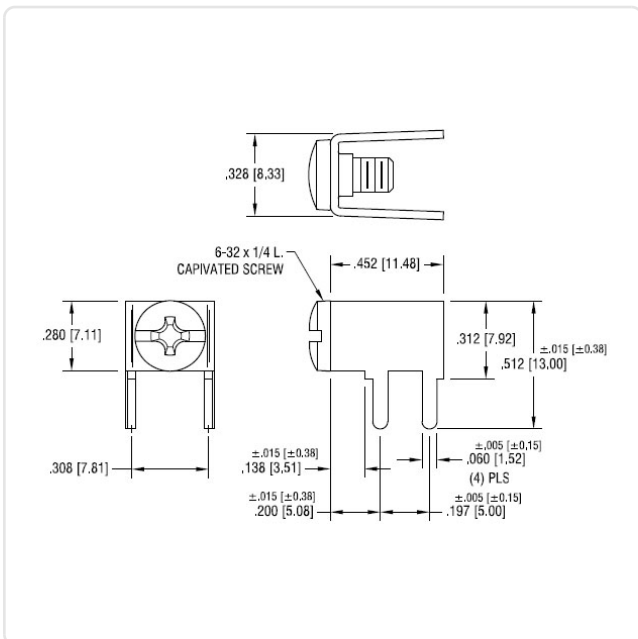


Image may be similar

Amperage [A]: 15  
 Finish: Tin-Plated  
 Grid [mm]: 5.08  
 Material: Brass  
 Material Group: Brass  
 PCB Hole Ø [mm]: 1.85  
 Thread Size: UNC6-32  
 Weight: 2.53g  
 Conformities:



You can find all information on the web on our article detail page



Would you like individual advice?

We look forward to your email to [products@ettinger.de](mailto:products@ettinger.de).

Subject to change and errors.