

Article datasheet

Cable connection for PG16 DIN40430 clamping range \varnothing 9-14mm PA grey RAL 7001

Article-No.: 014.25.168

Manufacturer: LAPP

Manufacturer article-no.: 53015040

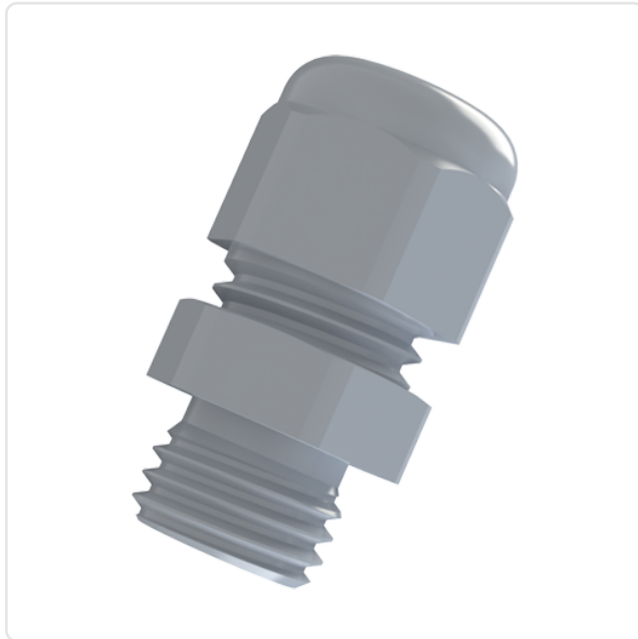


Image may be similar

AF / OD [mm]:	27
Color:	Gray
Material:	PA 6.0
Material Group:	Plastic
Mounting Hole [mm]:	23
Panel Thickness Range [mm]:	9.0-14.0
Protection Code:	IP68
Thread Size:	PG16
Weight:	14.17g
Conformities:	



You can find all information on the web on our article detail page

Would you like individual advice?

We look forward to your email to products@ettinger.de.

Subject to change and errors.

