

Article datasheet

## PCB Support 3.2 | $\varnothing 2.5$ Polyamide 6.6 natural

Article-No.: 006.70.303

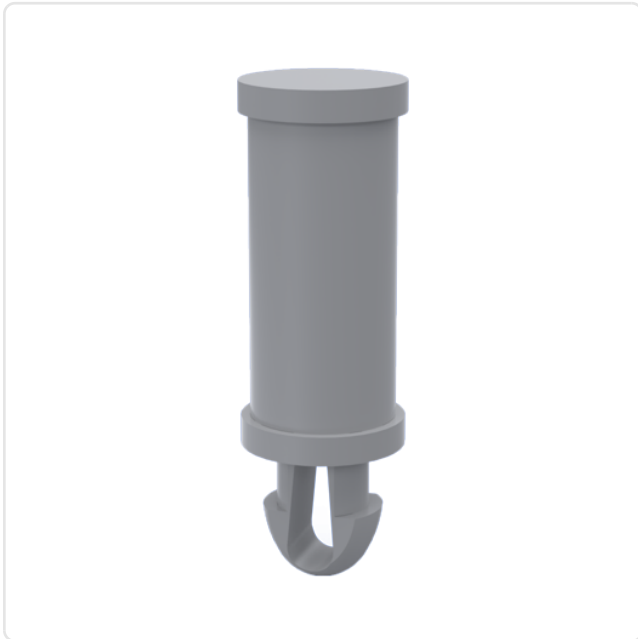
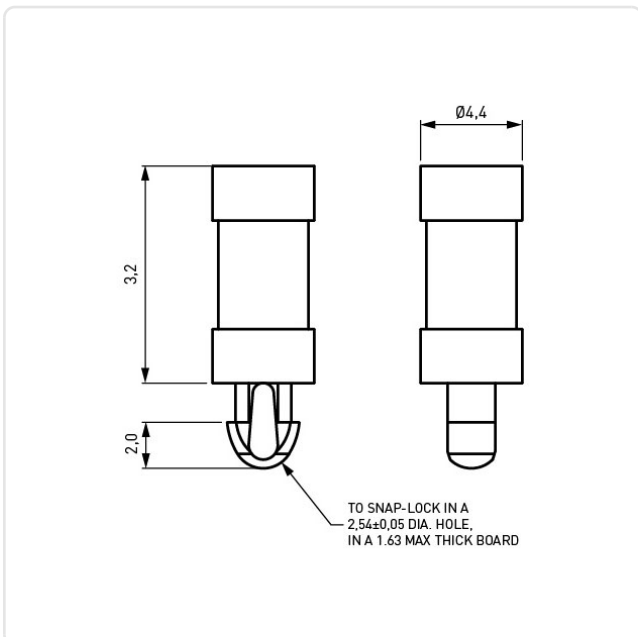


Image may be similar

Color: Natural  
Flammability Class: UL94-V2  
Length [mm]: 3.2  
Material: PA 6.6  
Material Group: Kunststoff  
Panel Hole  $\varnothing$  [mm]: 2.5  
Panel Thickness [mm]: 1.6  
Weight: 0.06g  
Conformities:



You can find all information on the web on our article detail page



Would you like individual advice?

We look forward to your email to [products@ettinger.de](mailto:products@ettinger.de).

Subject to change and errors.