

Article datasheet

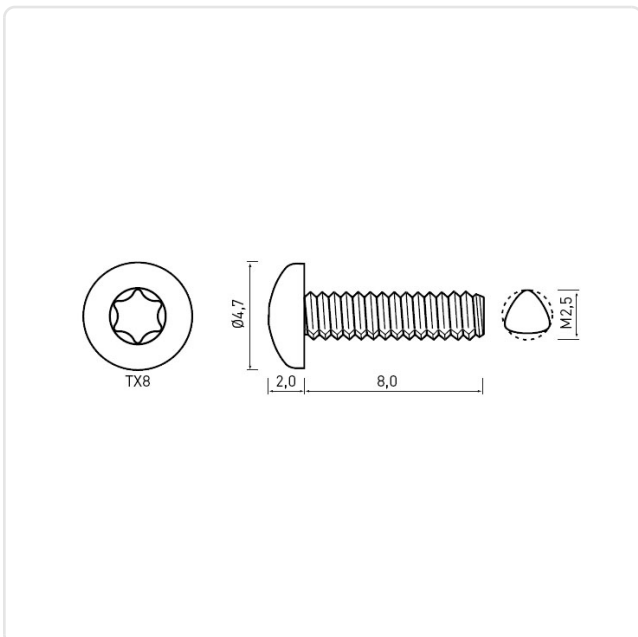
Thread Forming Screw DIN7500C M2.5x8 A2 Plain Stainless Steel Torx Pan Head

Article-No.: 001.31.239



Image may be similar

Actuator Size:	Torx T8
DIN/ISO:	DIN7500-C
Drive Type:	TORX
Finish:	Plain
Head Diameter [mm]:	5
Head Height [mm]:	2.2
Head Shape:	Pan Head
Length [mm]:	8
Material:	Stainless Steel AISI 304 / A2
Material Group:	Stainless Steel
Thread Size:	M2.5
Thread Type:	Metric
Weight:	0.53g
Conformities:	



You can find all information on the web on our article detail page

Would you like individual advice?

We look forward to your email to products@ettinger.de.

Subject to change and errors.