

Article datasheet

Self-Clinching Nut M5 | 1.5 Tin-Plated Steel

Article-No.: 002.17.151

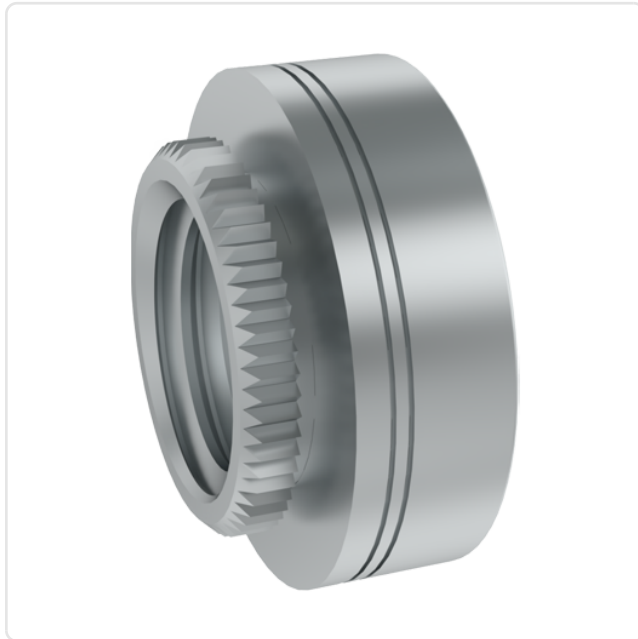
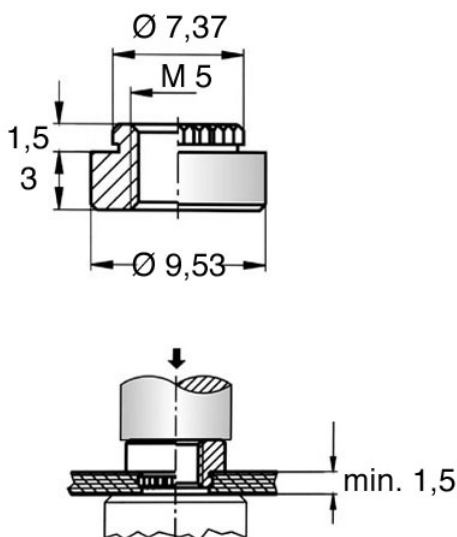


Image may be similar

Area of Application:	For Plastics
Finish:	Tin-Plated
Height [mm]:	3
Material:	Steel
Minimum Edge Distance [mm]:	7.1
Outer Diameter [mm]:	9.53
Panel Hole Ø [mm]:	6.9
Panel Thickness [mm]:	1,5
Thread Size:	M5
Weight:	1.46g
Conformities:	



You can find all information on the web on our article detail page



Would you like individual advice?

We look forward to your email to products@ettinger.de.

Subject to change and errors.