

Article datasheet

PCB Support 12.7 | \varnothing 4.0 Polyamide 6.6 natural

Article-No.: 006.07.136

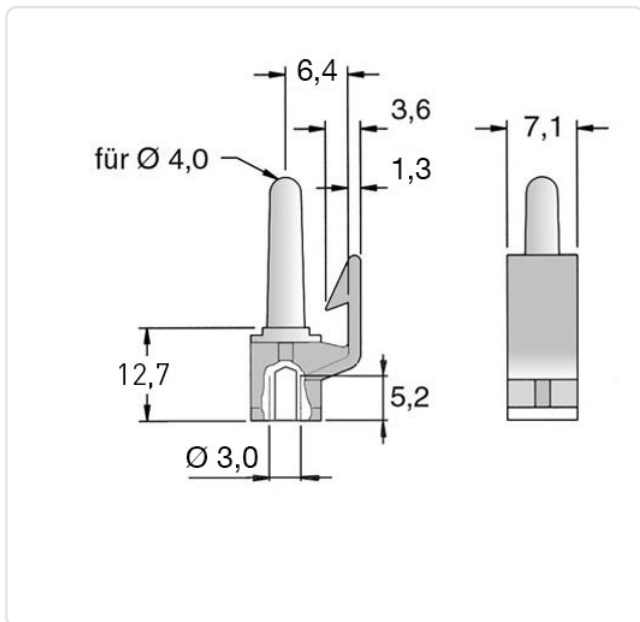


Image may be similar

Color:	Natural
Flammability Class:	UL94-V2
Length [mm]:	12.7
Material:	PA 6.6
PCB Hole \varnothing [mm]:	4
PCB Thickness [mm]:	1,6
Panel Hole \varnothing [mm]:	3
Panel Thickness [mm]:	0
Weight:	0.68g
Conformities:	



You can find all
information on the web on
our article detail page



Would you like individual advice?

We look forward to your email to products@ettinger.de.

Subject to change and errors.