

Article datasheet

Combination Nut M3 Galvanized Steel Rotatable Washer

Article-No.: 002.09.113

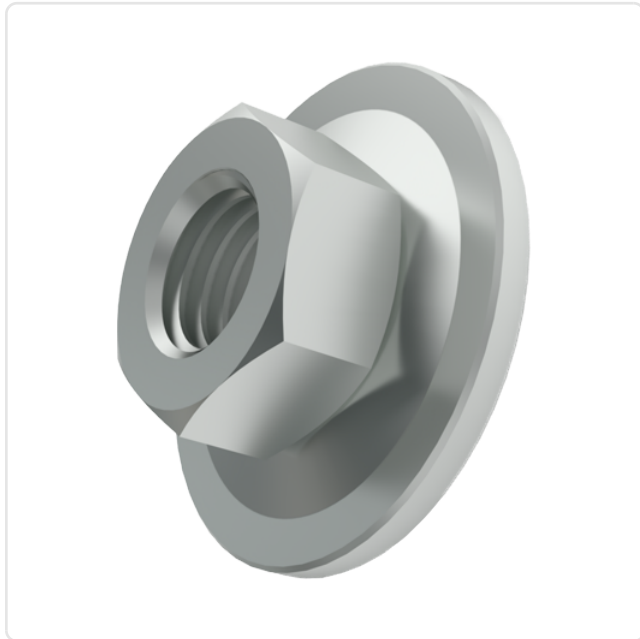


Image may be similar

AF / OD [mm]: 5.5
Finish: Galvanized, Blue, 5 µm, A2K
Height [mm]: 3.7
Material: Steel
Material Group: Steel
Thread Size: M3
Weight: 0.75g
Conformities:



You can find all
information on the web on
our article detail page

Would you like individual advice?

We look forward to your email to products@ettinger.de.

Subject to change and errors.

