

Article datasheet

## COM Knob $\varnothing$ 20 mm gray

Article-No.: 028.20.668

Manufacturer: OKW Gehäusesysteme

Manufacturer article-no.: A31.20.068

**OKW**  
GEHÄUSE  
SYSTEME

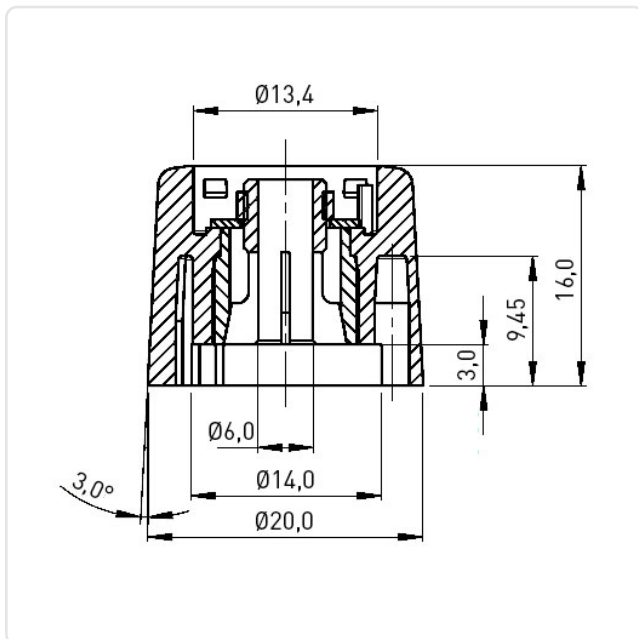


Image may be similar

Color: Gray  
Height [mm]: 16  
Inner Diameter [mm]: 6  
Material: PA 6.0  
Material Group: Plastic  
Model: COM Knob without Recess  
Outer Diameter [mm]: 20  
Weight: 7.02g  
Conformities:



You can find all information on the web on our article detail page



Would you like individual advice?

We look forward to your email to [products@ettinger.de](mailto:products@ettinger.de).

Subject to change and errors.