

Article datasheet

Retaining Ring $\text{\O}6.0/15.3 \times 1.3$ A2 Plain Stainless Steel

Article-No.: 003.15.469

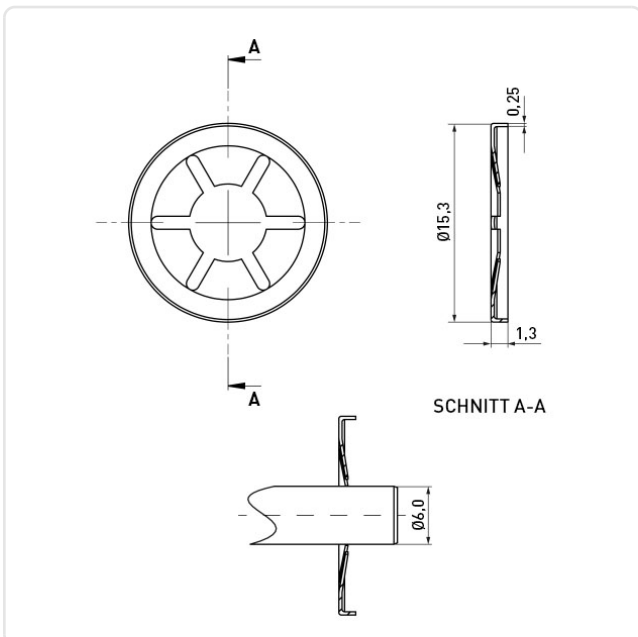


Image may be similar

Finish: Plain
Height [mm]: 1.3
Material: Stainless Steel AISI 304 / A2
Material Group: Stainless Steel
Outer Diameter [mm]: 15.3
Weight: 0.32g
Conformities:



You can find all
information on the web on
our article detail page



Would you like individual advice?

We look forward to your email to products@ettinger.de.

Subject to change and errors.