

Article datasheet

Fast On DIN 46346 B6.3-1.5mm² 90° Brass tinned 0.5-1.5mm²

Article-No.: 012.68.825

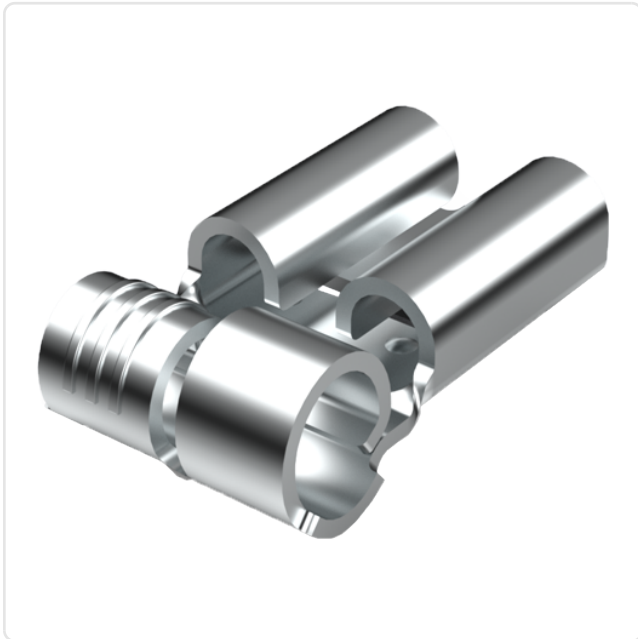
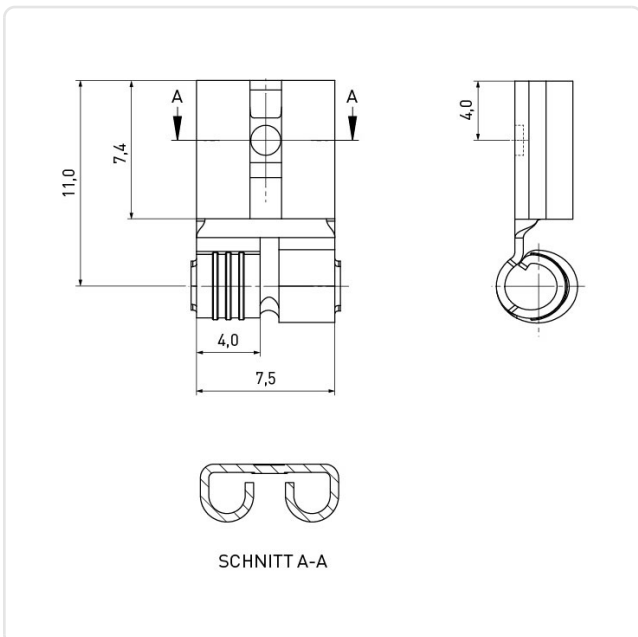


Image may be similar

DIN/ISO:	DIN46346B
Finish:	Tin-Plated
Length [mm]:	11
Material:	Brass
Material Group:	Brass
Size [mm]:	6.3x0.8
Wire Cross Section [mm ²]:	0.5-1.5
Weight:	0.8g
Conformities:	



You can find all information on the web on our article detail page



Would you like individual advice?

We look forward to your email to products@ettinger.de.

Subject to change and errors.