

Article datasheet

Cable Lug Pin Type DIN 46231-A Polyamid red/0.5-1mm²/AWG 22-18

Article-No.: 018.51.622

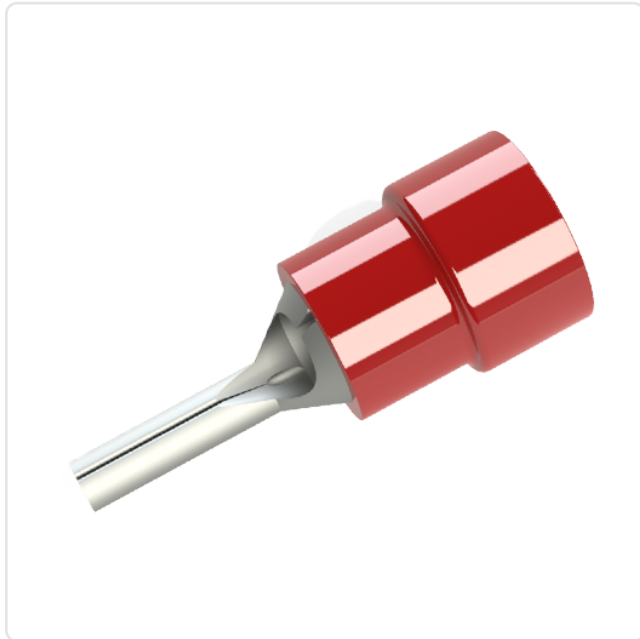
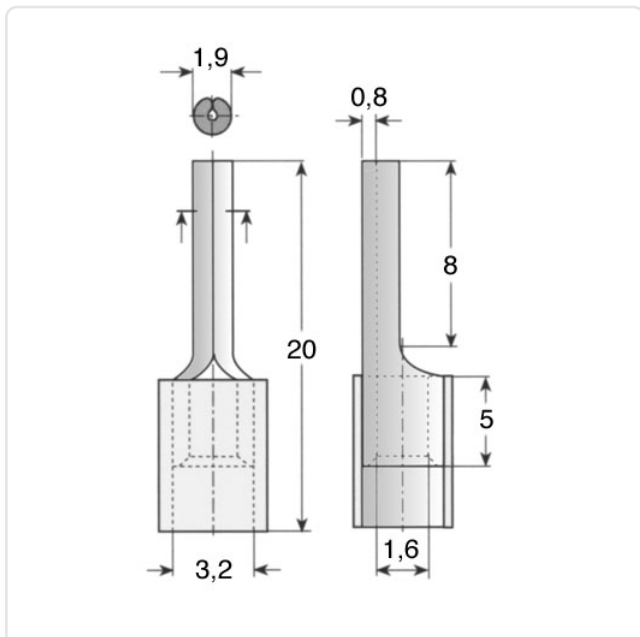


Image may be similar

Color:	Red
DIN/ISO:	DIN46231-A
Finish:	Tin-Plated
Insulation:	Polyamide
Material:	Electrolytic Copper
Outer Diameter [mm]:	1.9
Wire Cross Section [mm ²]:	0.5-1.0
Weight:	0.7g
Conformities:	



You can find all information on the web on our article detail page



Would you like individual advice?

We look forward to your email to products@ettinger.de.

Subject to change and errors.