

Article datasheet

Batteryholder for 1x "9V" cell Aluminium natural,PCB mounting

Article-No.: 015.91.837

Manufacturer: Keystone Electronics

Manufacturer article-no.: 1291

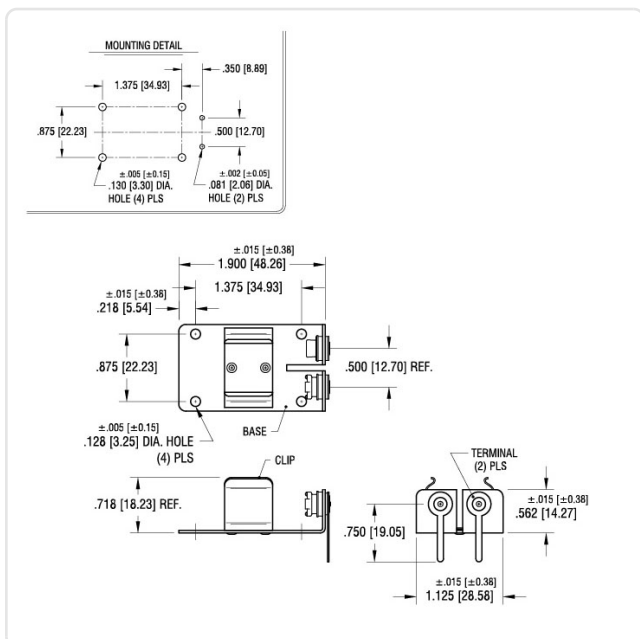


Image may be similar

Battery Type: 9V-Block
 Material: Aluminum ENAW-5754 / AlMg3, lead-free
 Material Group: Aluminum
 Model: PCB Mounting Connection
 No. Cells: 1
 Weight: 8.7g
 Conformities:



You can find all information on the web on our article detail page



Would you like individual advice?

We look forward to your email to products@ettinger.de.

Subject to change and errors.