

Article datasheet

Conical Spring Washer $\varnothing 6.4/10.2 \times 0.5$ Galvanized Spring Steel

Article-No.: 003.24.961

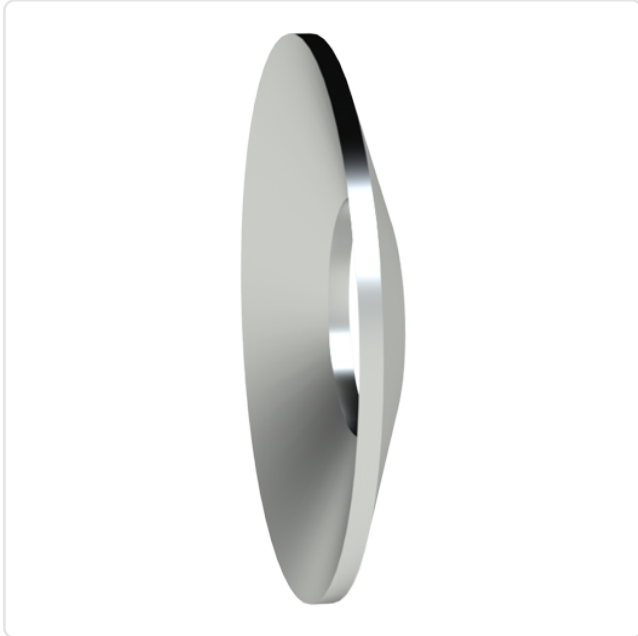
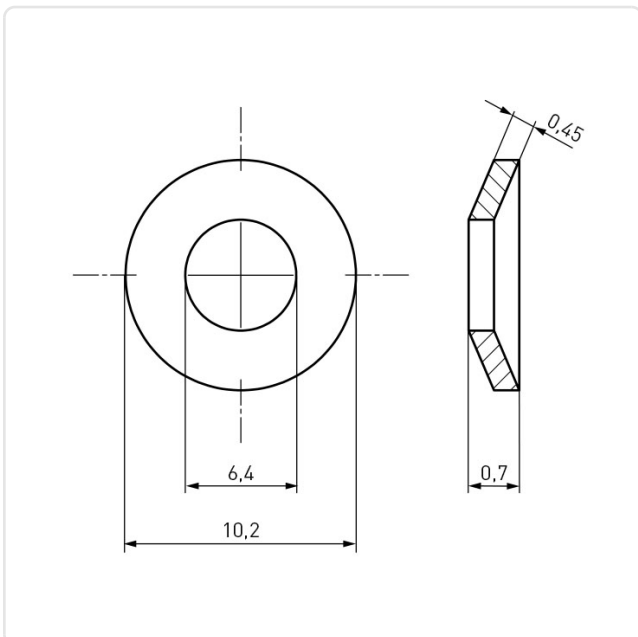


Image may be similar

Finish: Galvanized, Blue, 5 μm , A2K
For Thread Size: M6
Height [mm]: 0.45
Inner Diameter [mm]: 6.4
Material: Spring Steel
Material Group: Steel
Outer Diameter [mm]: 10.2
Weight: 0.15g
Conformities:



You can find all information on the web on our article detail page



Would you like individual advice?

We look forward to your email to products@ettinger.de.

Subject to change and errors.