

Article datasheet

Tray Handle 110x56mm/0.75-1.5mm ABS black/with 2 spring-clamps

Article-No.: 029.02.800

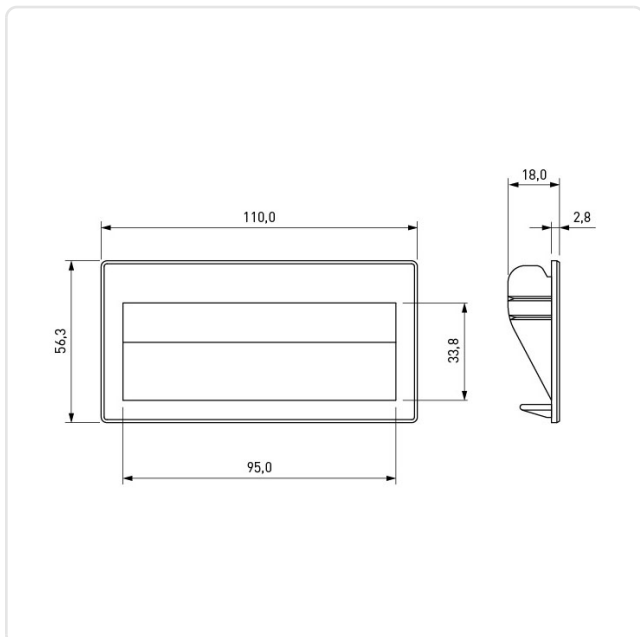


Image may be similar

Color: Black
Height [mm]: 56.3
Material: ABS - Acrylonitrile Butadiene Styrene
Material Group: Kunststoff
Model: Tray Handle
Width [mm]: 110
Weight: 35.96g
Conformities:



You can find all
information on the web on
our article detail page



Would you like individual advice?

We look forward to your email to products@ettinger.de.

Subject to change and errors.