

Article datasheet

Self-Clinching Nut M3 | 1.5 A2 Stainless Steel Passivated

Article-No.: 002.17.139

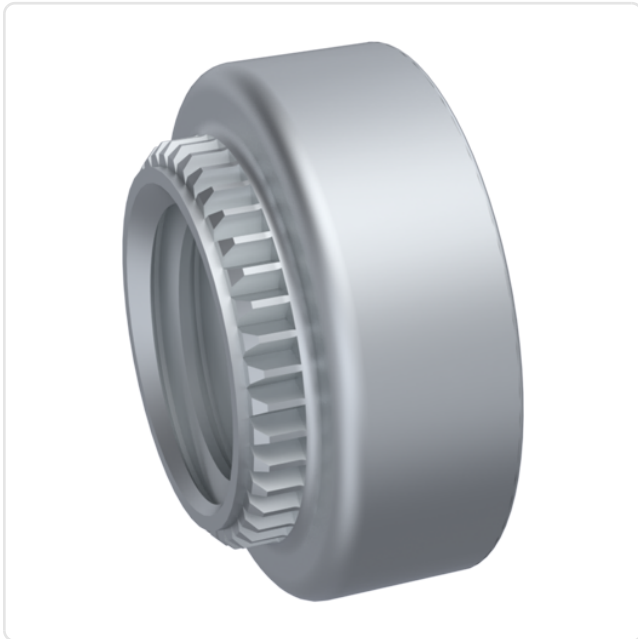
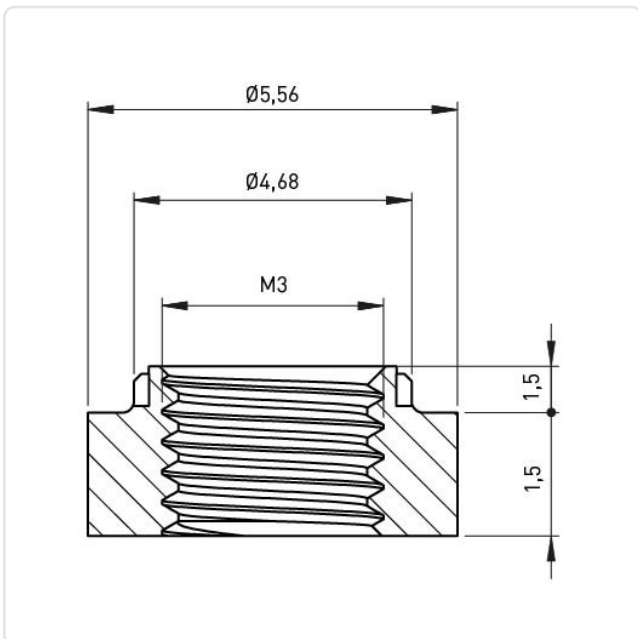


Image may be similar



Area of Application:	For Plastics
Finish:	Passivated, Clear
Height [mm]:	1.5
Material:	Stainless Steel AISI 304 / A2
Minimum Edge Distance [mm]:	4.4
Outer Diameter [mm]:	5.56
Panel Hole Ø [mm]:	4.2
Panel Thickness [mm]:	1,5
Thread Size:	M3
Weight:	0.27g
Conformities:	



You can find all
information on the web on
our article detail page

Would you like individual advice?

We look forward to your email to products@ettinger.de.

Subject to change and errors.