

Article datasheet

## Switch Stainless Steel Low Profile Vandal Resistant/5A-250V

Article-No.: 011.10.569

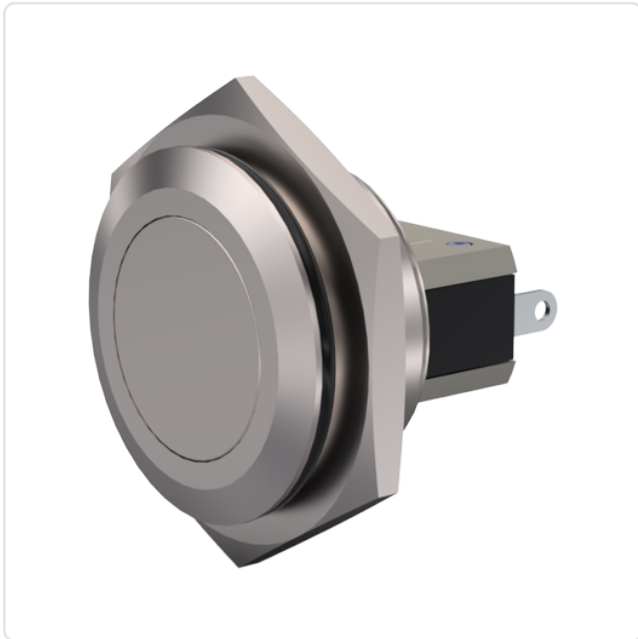



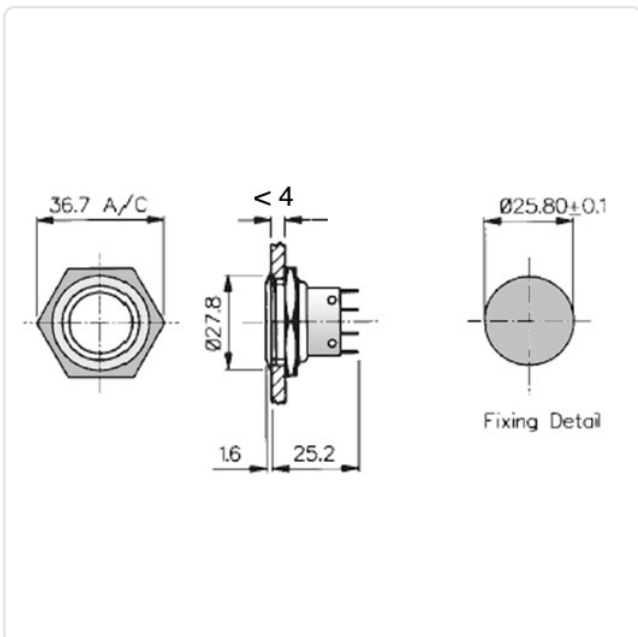


Image may be similar

Contact Plating:	Silver-plated
Diameter [mm]:	27.8
Material:	Stainless Steel AISI 316 / A4
Material Group:	Stainless Steel
Mounting Hole [mm]:	25.8
Weight:	43.9g
Conformities:	  



You can find all information on the web on our article detail page



Would you like individual advice?

We look forward to your email to [products@ettinger.de](mailto:products@ettinger.de).

Subject to change and errors.