

Article datasheet

## Rivet Bush M3 | 1.4 - 1.6 Plain Steel

Article-No.: 002.15.231

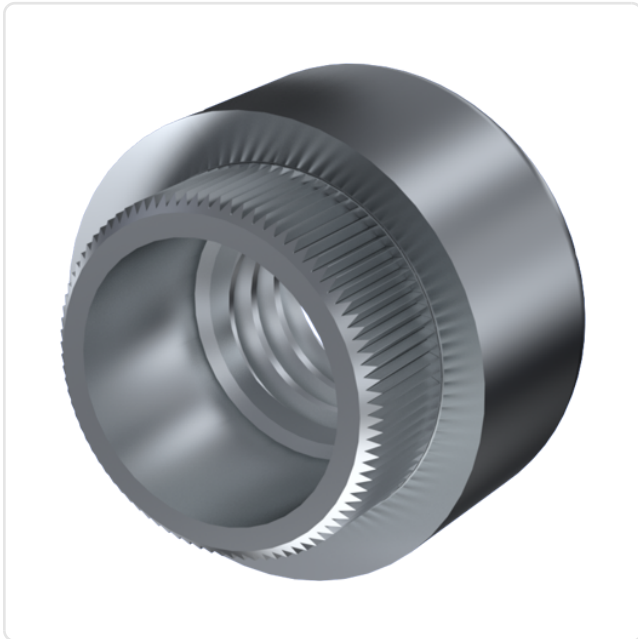
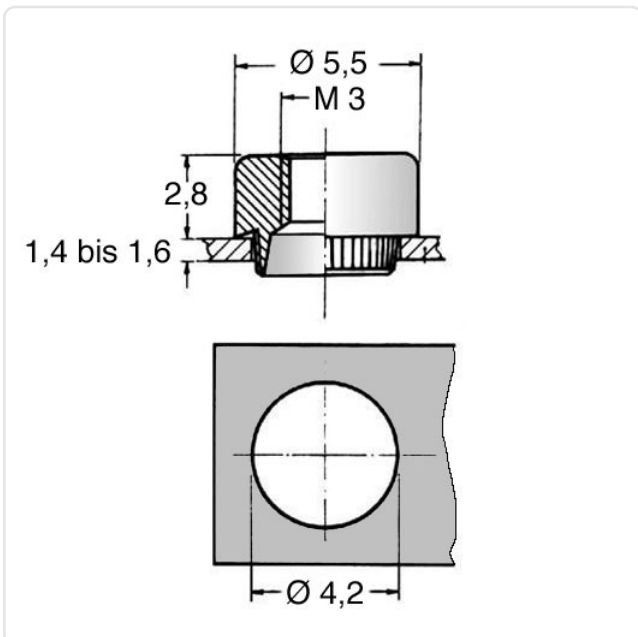


Image may be similar



Finish: Plain  
Height [mm]: 2.8  
Material: Steel  
Outer Diameter [mm]: 5.5  
Panel Hole Ø [mm]: 4.2  
Panel Thickness [mm]: 1,4 - 1,6  
Thread Size: M3  
Weight: 0.43g  
Conformities:



You can find all information on the web on our article detail page

Would you like individual advice?

We look forward to your email to [products@ettinger.de](mailto:products@ettinger.de).

Subject to change and errors.