

Article datasheet

Ceramic Soldering Strip 9-pole with solder eyes and 2x M3 thread stud

Article-No.: 013.82.109

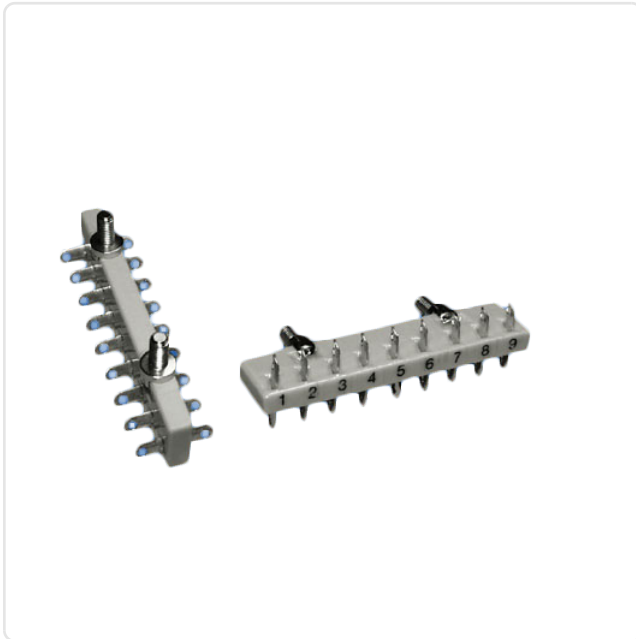
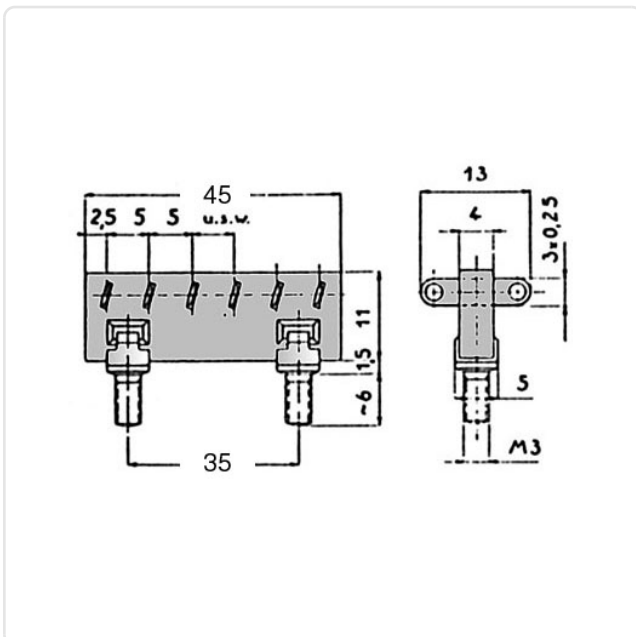


Image may be similar

Diameter [mm]: 5
 Finish: Tin-Plated
 Grid [mm]: 35.0
 Length [mm]: 45
 Material: Ceramic C221
 PCB Hole Ø [mm]: 3.2
 Weight: 8g
 Conformities:



You can find all information on the web on our article detail page



Would you like individual advice?

We look forward to your email to products@ettinger.de.

Subject to change and errors.