

Article datasheet

Solder Terminal Pin 2.4x10.0mm Brass silver-plated 0.5mm thick

Article-No.: 013.13.389

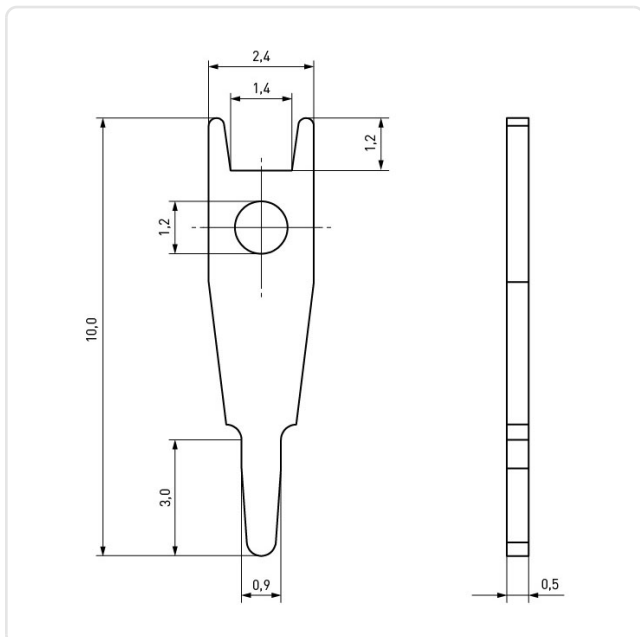


Image may be similar

Diameter [mm]: 2.4
Finish: Silver-Plated
Length [mm]: 10
Material: Brass CW508L / CuZn37, lead-free
Material Group: Brass
Model: flat
PCB Hole Ø [mm]: 0.9
Weight: 0.06g
Conformities:



You can find all information on the web on our article detail page



Would you like individual advice?

We look forward to your email to products@ettinger.de.

Subject to change and errors.