

Article datasheet

## Board Mounting Strip for 1.6mm PCB with adhesive tape

Article-No.: 075.46.727

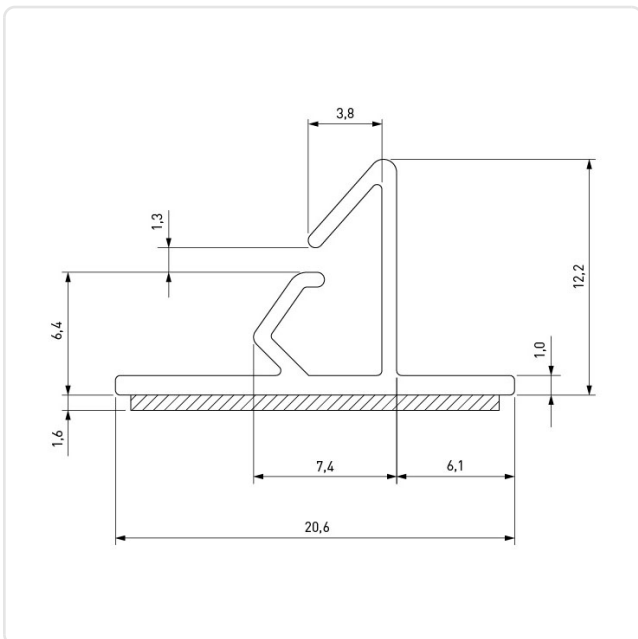


Image may be similar

Color: Black  
Flammability Class: UL94-V0  
Length [mm]: 1200  
Material: PVC - Polyvinyl Chloride  
Material Group: Plastic  
Model: Self-Adhesive  
Width [mm]: 20.6  
Weight: 90g  
Conformities:



You can find all information on the web on our article detail page



Would you like individual advice?

We look forward to your email to [products@ettinger.de](mailto:products@ettinger.de).

Subject to change and errors.