

Article datasheet

Solder Pin $\varnothing 1.0 \times 15.5$ mm Brass tinned with round press-in shaft

Article-No.: 013.14.145

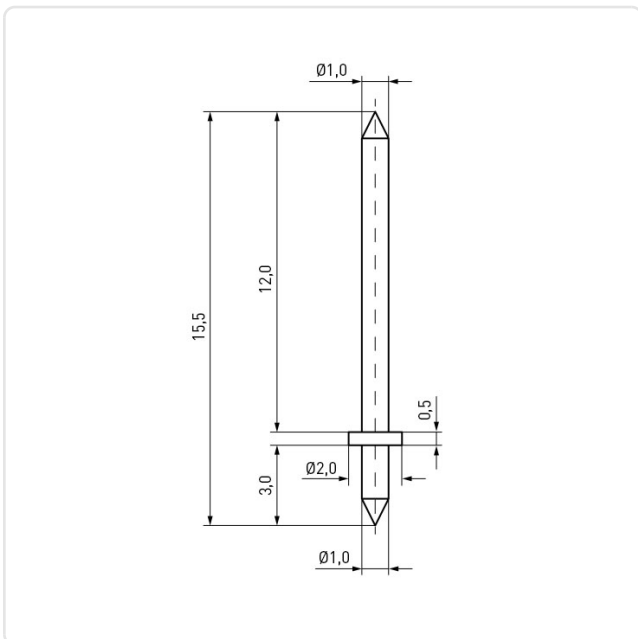


Image may be similar

Diameter [mm]: 1
Finish: Tin-Plated
Length [mm]: 15.5
Material: Brass CW614N / CuZn39Pb3
Model: round
PCB Hole \varnothing [mm]: 1
Weight: 0.11g
Conformities:



You can find all
information on the web on
our article detail page



Would you like individual advice?

We look forward to your email to products@ettinger.de.

Subject to change and errors.