

Article datasheet

## Coincell Holder 2 cells $\varnothing$ 12x6mm PBT black

Article-No.: 015.61.122

Manufacturer: Keystone Electronics

Manufacturer article-no.: 501

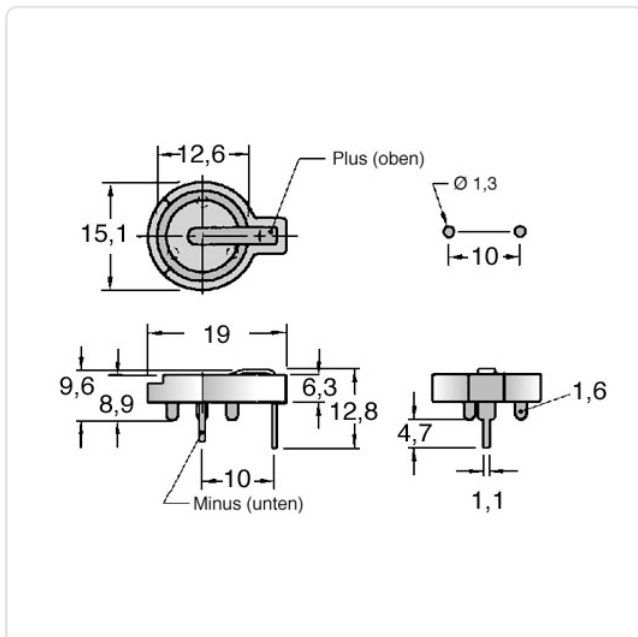


Image may be similar

Battery Type: Cell Dia. 12mm  
Cell diameter [mm]:  $\varnothing$  12.0  
Finish: Nickel-Plated, 3  $\mu$ m, E1E  
Height [mm]: 9.6  
Material: PBT - Polybutylene Terephthalate  
Model: PCB Mounting Connection  
No. Cells: 1  
Weight: 1.18g  
Conformities:



You can find all information on the web on our article detail page



Would you like individual advice?

We look forward to your email to [products@ettinger.de](mailto:products@ettinger.de).

Subject to change and errors.