

Article datasheet

## Cable Gland EMV PG7 Brass nickel-plated

Article-No.: 014.29.113

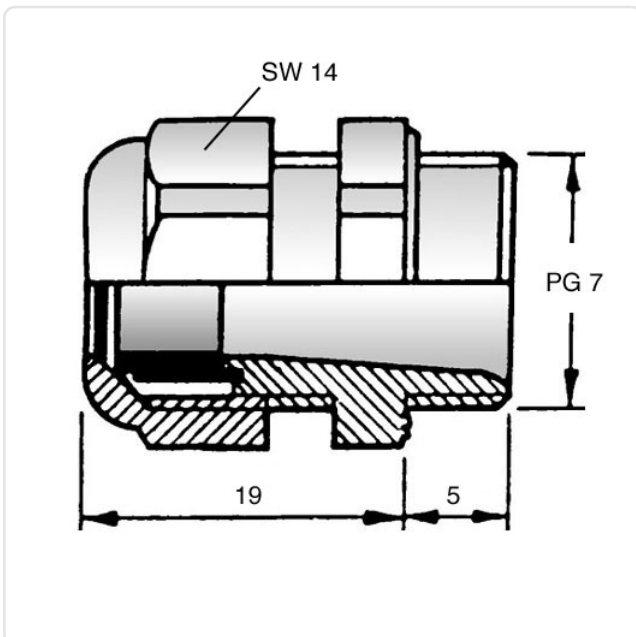


Image may be similar

AF / OD [mm]:	14
Material:	Brass
Material Group:	Brass
Mounting Hole [mm]:	13
Panel Thickness Range [mm]:	3.0-6.5
Protection Code:	IP68
Thread Size:	PG7
Weight:	9.96g
Conformities:	



You can find all information on the web on our article detail page



Would you like individual advice?

We look forward to your email to [products@ettinger.de](mailto:products@ettinger.de).

Subject to change and errors.