

Article datasheet

## Split Washer DIN127 B Ø2.9/4.7 x 0.8 Yellow Galv. Spring Steel

Article-No.: 003.63.028

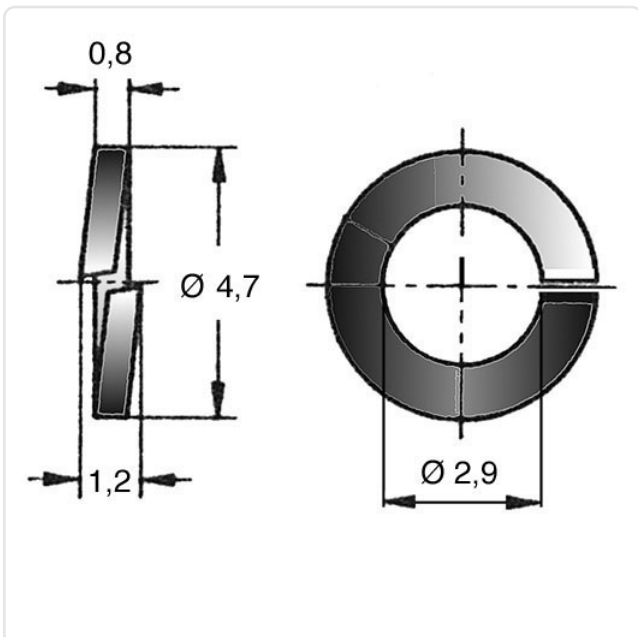


Image may be similar

DIN/ISO:	DIN127B
Finish:	Galvanized, Yellow, 8 µm, A3G
Height [mm]:	0.8
Inner Diameter [mm]:	2.9
Material:	Spring Steel
Material Group:	Steel
Outer Diameter [mm]:	4.7
Weight:	0.06g
Conformities:	



You can find all information on the web on our article detail page



Would you like individual advice?

We look forward to your email to [products@ettinger.de](mailto:products@ettinger.de).

Subject to change and errors.