

Article datasheet

Rigth Angle Strain Relief Bushing / For Round Cables SR-20-2

Article-No.: 014.04.580

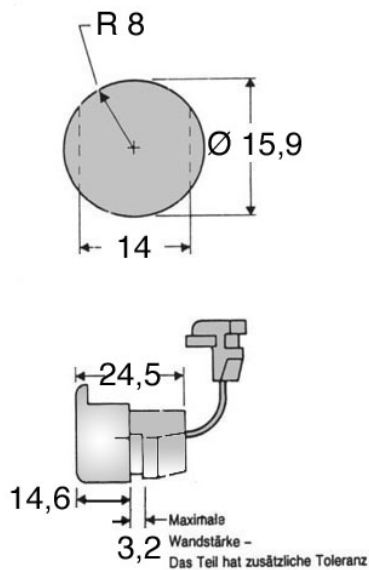


Image may be similar

Cable diameter [mm]:	Ø 7,6-11
Color:	Black
Material:	PA 6.6
Material Group:	Plastic
Max. Panel Thickness [mm]:	3.2
Mounting Hole [mm]:	15.9
Panel Thickness Range [mm]:	7,6 - 8,4
Weight:	3.01g
Conformities:	



You can find all information on the web on our article detail page



Would you like individual advice?

We look forward to your email to products@ettinger.de.

Subject to change and errors.